



2025

CATALOGUE

**ZHUJI CITY JIANGRU IMPORT AND EXPORT CO.,LTD
ZHEJIANG TIANXIANG MACHINE FITTINGS CO.,LTD**

 www.txfitting.com

 zhouhangbo@zjtianxiang.com.cn

- Quick Coupling ●
- High Pressure Ball Valve ●
- Camlock ●
- Air Hose Series ●
- Seamless Steel Tube ●
- O-Ring Kit ●
- Pipe Clamp ●
- Hose Clamp ●
- Sleeve Spiral Protective ●
- Grease Nipples ●

JR-S5 Push and Pull Type Hydraulic Quick Coupling(Steel)

Descriptions

Applications: The JR-S5 Series brings to the industry aproven design for use on construction equipment, forestry equipment agricultural machinery, and oil tools.



SPECIFICATIONS

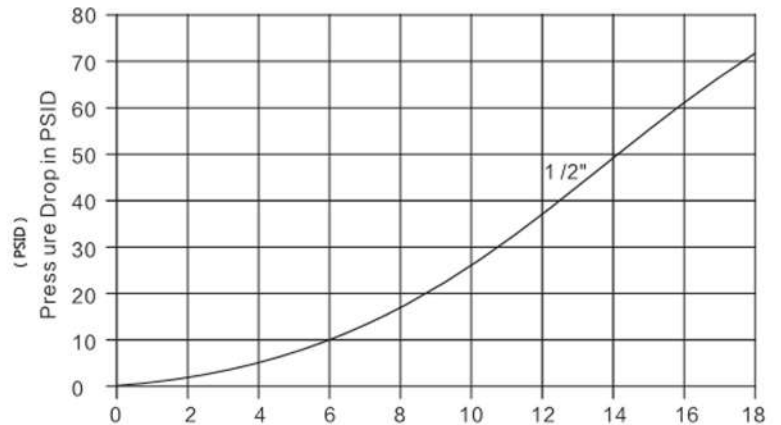
Body Size(in)	1/2
Rated Pressure(PSI)	4000
Rated Flow(GPM)	12
Temperature Range(std seals)	-20℃ to +120℃
Standard seal material	NBR

JR-S5 Series Couplings feature:

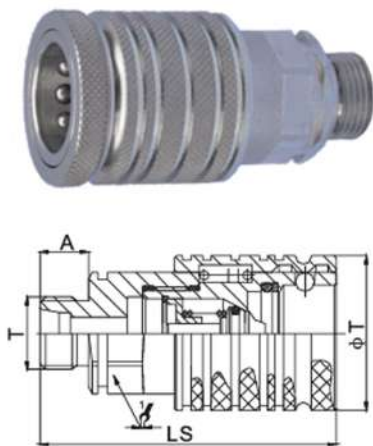
- Double acting sleeve for one handed push-to-Connect operation when coupler is clamp or bulkhead mounted.
- Poppet valves available to prevent uncoupled leakage.
- Poppet valves open automatically when coupled, within rated working pressure, to keep the flow expeditey.
- Critical parts are hardened for durability.
- Dependable ball-locking mechanism holds the mating halves together.
- Socket and plug are precision machined from solid bar stock.
- JR-S5 series conforms to the standard of ISO5675.
- Compatible with PAPER 4250 Series, FASTER CPV-CNV Series.

JR-S5 Series(1/2")

Test Fluid:Oil-200SUS



(GPM) 1GPM=3.78L/Min 1PSID=0.0069Mpa

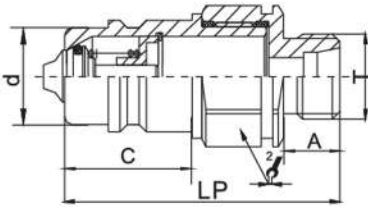


Socket

ISO	PART NO.	LS	φD	1/2"	A	T
12.5	JR-S5-04SM8L	73.5	38	27	12	M14*1.5
12.5	JR-S5-04SM10L	73.5	38	27	12	M16*1.5
12.5	JR-S5-04SM12L	73.5	38	27	12	M18*1.5
12.5	JR-S5-04SM15L	75.5	38	27	14	M22*1.5
12.5	JR-S5-04SM18L	75.5	38	27	14	M26*1.5
12.5	JR-S5-04SM10S	73.5	38	27	12	M18*1.5
12.5	JR-S5-04SM12S	73.5	38	27	12	M20*1.5
12.5	JR-S5-04SM14S	75.5	38	27	14	M22*1.5
12.5	JR-S5-04SM16S	75.5	38	27	14	M24*1.5
12.5	JR-S5-04SM20S	77.5	38	30	16	M30*2

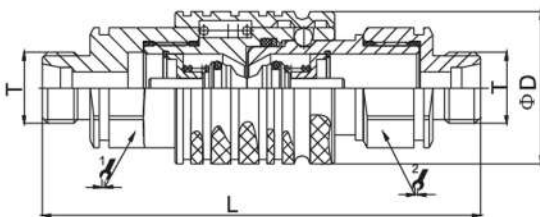
JR-S5 Push and Pull Type Hydraulic Quick Coupling(Steel)

Descriptions





Plug

ISO	PART NO.	LP	d	C		A	T
12.5	JR-S5-04PM8L	58.5	20.5	27	27	12	M14*1.5
12.5	JR-S5-04PM10L	58.5	20.5	27	27	12	M16*1.5
12.5	JR-S5-04PM12L	58.5	20.5	27	27	12	M18*1.5
12.5	JR-S5-04PM15L	60.5	20.5	27	27	14	M22*1.5
12.5	JR-S5-04PM18L	60.5	20.5	27	27	14	M26*1.5
12.5	JR-S5-04PM10S	58.5	20.5	27	27	12	M18*1.5
12.5	JR-S5-04PM12S	58.5	20.5	27	27	12	M20*1.5
12.5	JR-S5-04PM14S	60.5	20.5	27	27	14	M22*1.5
12.5	JR-S5-04PM16S	60.5	20.5	27	27	14	M24*1.5
12.5	JR-S5-04PM20S	60.5	20.5	27	30	16	M30*2



Coupling Fitting

ISO	PART NO.	L	φD			T
12.5	JR-S5-04-8L	109.5	38	27	27	M14*1.5
12.5	JR-S5-04-10L	109.5	38	27	27	M16*1.5
12.5	JR-S5-04-12L	109.5	38	27	27	M18*1.5
12.5	JR-S5-04-15L	113.5	38	27	27	M22*1.5
12.5	JR-S5-04-18L	113.5	38	27	27	M26*1.5
12.5	JR-S5-04-10S	109.5	38	27	27	M18*1.5
12.5	JR-S5-04-12S	109.5	38	27	27	M20*1.5
12.5	JR-S5-04-14S	113.5	38	27	27	M22*1.5
12.5	JR-S5-04-16S	113.5	38	27	27	M24*1.5
12.5	JR-S5-04-20S	113.5	38	30	30	M30*2

JR-FF Flat Face Type Hydraulic Quick Coupling(steel)(new)

Descriptions

Applications: JR-FF Series couplings are widely used in the public utility market where hydraulic spillage can constitute a serious safety hazard, particularly in overhead bucket hoists that are used for maintenance of high-voltage power transmission lines. These couplings are also used for quick change of hydraulic tools in construction, railway maintenance and mining industries. The ease of cleaning makes them ideal for use in these types of hostile environments.

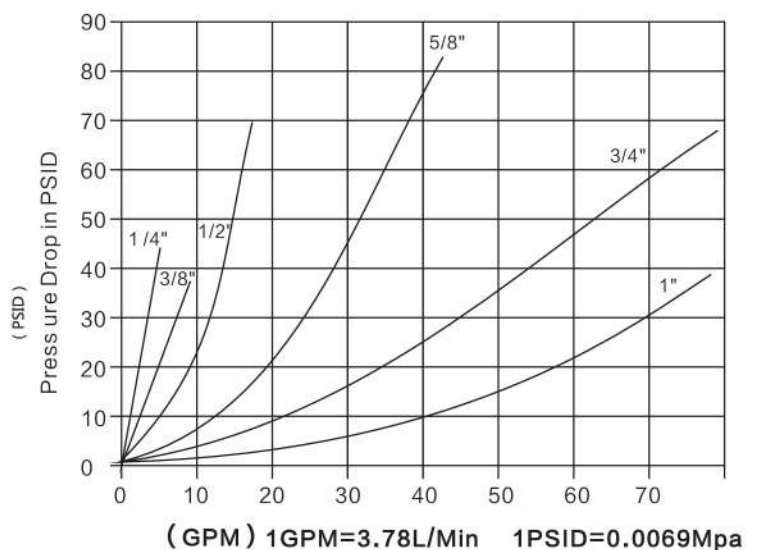


SPECIFICATIONS

Body Size(in)	1/4(02)	3/8(03)	1/2(04)	5/8(06)	3/4(08)	1(10)	1-1/2(12)	2(16)
Rated Pressure(PSI)	5000	5000	5000	5000	5000	5000	3000	3000
Rated Flow(GPM)	3	6	12	20	28	50	80	100
Temperature Range(std seals)	-20 °C to +120 °C							
Spillage (ML) (max.per disconnect)	0.006	0.012	0.02	0.026	0.032	0.035	0.05	0.1
Standard seal material	NBR							

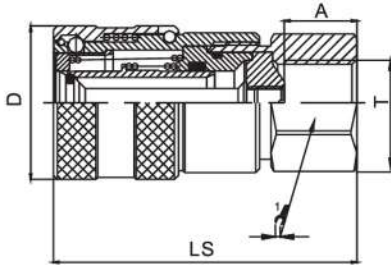
- New valve design, it can resistance damage from high flow and the pressure of impulse that providing advanced performance.
- Sleeve locking mechanism is engaged by rotating sleeve after connection. It prevents accidental disconnection when the coupling is dragged along the ground.
- Sleeve mechanism and designed to prevent dirt from high flow entering the internal mechanism and thus causing faulty operation when connecting or disconnecting. The sleeve covers the retaining ring and also incorporates a dust seal in the spring area.
- Steel construction, zinc plated finished and hardened nipples and sleeves and solid barstock construction for maximum resistance to damage from hydraulic and mechanical shock.
- This Anti Blowout Nitrile/PTFE bonded seal is designed to prevent blow-out or damage during severe service conditions.
- Durable ball-locking mechanism assures reliable connections every time. A large number of locking balls distributes the work load evenly while providing alignment and swiveling action to reduce hose torque and prolong hose life.
- EF-FF Series couplings employ flush valving when connecting or disconnecting. This means that the valves are mated together so that only small amounts of fluid can be lost during disconnection or air inclusion during reconnection.
- New chrome plating treatment provides advanced anti-rust performance.
- JR-FF series conforms to standard of ISO16028.
- Compatible with PARKER FEM Series, STUCCHI FIRG Series, AEROQUIP FD89 Series and HANSEN FF Series.

JR-FF Series (1/4", 3/8", 1/2", 5/8", 3/4", 1")
 Test Fluid: Oil-200SUS



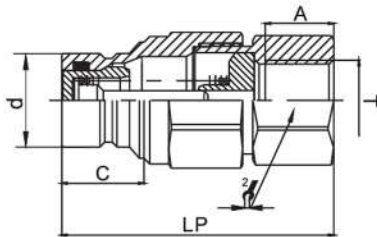
JR-FF Flat Face Type Hydraulic Quick Coupling(steel)(new)

Descriptions



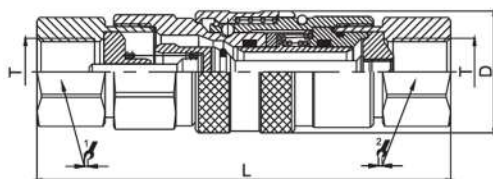
Socket

ISO	PART NO.	LS	φD	$\frac{1}{2}$	A	T
6.3	JR-FF-02SF	58.2	28	S20HEX	14	G1/4 NPT1/4
10	JR-FF-03SF	68.2	32	S24HEX	14	G3/8 NPT3/8
10	JR-FF-03SF	72.2	32	S27HEX	18	G1/2 NPT1/2
12.5	JR-FF-04SF	75	38	S32HEX	18	G1/2 NPT1/2
12.5	JR-FF-04SF	79	38	S36HEX	22	G3/4 NPT3/4
16	JR-FF-06SF	80	42	S36HEX	22	G3/4 NPT3/4
19	JR-FF-08SF	99.8	48	S41HEX	22	G3/4 NPT3/4
19	JR-FF-08SF	99.8	48	S41HEX	23.5	G1 NPT1
25	JR-FF-10SF	111.5	56	S55HEX	24	G1-1/4 NPT1-1/4
38	JR-FF-12SF	150	79.5	S65HEX	30	G1-1/2 NPT1-1/2
51	JR-FF-16SF	167	98.5	S85HEX	31	G2 NPT2



Socket

ISO	PART NO.	LP	d	C	$\frac{2}{2}$	A	T
6.3	JR-FF-02PF	49.2	16.1	15.2	S20HEX	14	G1/4 NPT1/4
10	JR-FF-03PF	55.8	19.7	19.5	S24HEX	14	G3/8 NPT3/8
10	JR-FF-03PF	59.8	19.7	19.5	S27HEX	18	G1/2 NPT1/2
12.5	JR-FF-04PF	72	24.5	21.6	S32HEX	18	G1/2 NPT1/2
12.5	JR-FF-04PF	76	24.5	21.6	S36HEX	22	G3/4 NPT3/4
16	JR-FF-06PF	75.5	27	21.6	S36HEX	22	G3/4 NPT3/4
19	JR-FF-08PF	93.8	30	29	S41HEX	22	G3/4 NPT3/4
19	JR-FF-08PF	93.8	30	29	S41HEX	23.5	G1 NPT1
25	JR-FF-10PF	90	36	34	S55HEX	24	G1-1/4 NPT1-1/4
38	JR-FF-12PF	112	57	38	S65HEX	30	G1-1/2 NPT1-1/2
51	JR-FF-16PF	123.9	73	40.5	S85HEX	31	G2 NPT2



Coupling Fitting

ISO	PART NO.	L	φD	$\frac{1}{2}$	$\frac{2}{2}$	T
6.3	JR-FF-02	96.2	28	S20HEX	S20HEX	G1/4 NPT1/4
10	JR-FF-03	108.4	32	S24HEX	S24HEX	G3/8 NPT3/8
10	JR-FF-03	116.4	32	S27HEX	S27HEX	G1/2 NPT1/2
12.5	JR-FF-04	129.3	38	S32HEX	S32HEX	G1/2 NPT1/2
12.5	JR-FF-04	137.3	38	S36HEX	S36HEX	G3/4 NPT3/4
16	JR-FF-06	138	42	S36HEX	S36HEX	G3/4 NPT3/4
19	JR-FF-08	172.1	48	S41HEX	S41HEX	G3/4 NPT3/4
19	JR-FF-08	172.1	48	S41HEX	S41HEX	G1 NPT1
25	JR-FF-10	178	56	S55HEX	S55HEX	G1-1/4 NPT1-1/4
38	JR-FF-12	233.4	79.5	S65HEX	S65HEX	G1-1/2 NPT1-1/2
51	JR-FF-16	251.7	98.5	S85HEX	S75HEX	G2 NPT2

JR-ISOA Close Type Hydraulic Quick Coupling(steel)(new)

Descriptions

Applications:JR-SOA Series bring to the industry a proven design for use on construction equipment forestry equipment, agricultural machinery, oil tools, oil equipment steel mill machinery, and other demanding hydraulic applications.

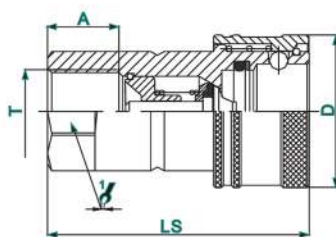
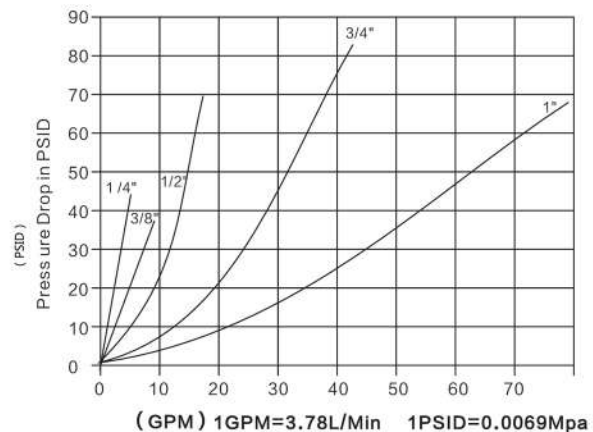


SPECIFICATIONS

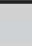
Body Size(in)	1/4	3/8	1/2	3/4	1
Rated Pressure(PSI)	5000	4000	4000	3000	3000
Rated Flow(GPM)	3	6	12	28	50
Temperature Range(std seals)	-20 °C to +120 °C				
Standard seal material	NBR				

- New valve design, it can resistance damage from high flow and the pressure of impulse that providing advanced performance.
- Poppet valves available to prevent uncoupled leakage.
- Poppet valves open automatically when coupled, within rated working pressure, to keep the flow expedite.
- Critical parts are hardened for durability.
- Dependable ball-locking mechanism holds the mating halves together.
- Socket and plug are precision machined from solid bar stock.
- New Chrome plating treatment provides advanced anti-rust performance
- JR-ISOA series conforms to the standard of ISO 7241-A
- Compatible with PARKER 6600 Series, FASTER ANV Series, AEROQUIP 5600 Series and HANSEN HA 15000 Series

JR-ISOA Series (1/4", 3/8", 1/2", 3/4", 1")
 Test Fluid: Oil-200SUS

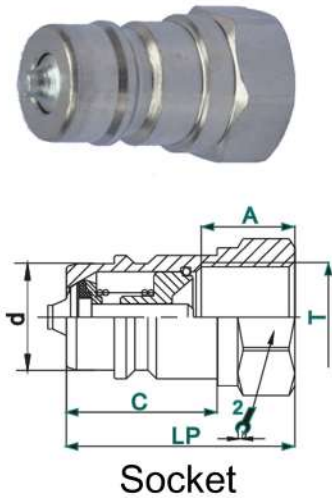


Socket

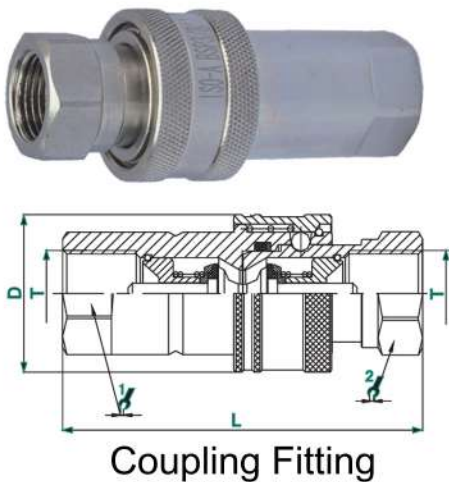
ISO	PART NO.	LS	φD		A	T
6.3	JR-ISOA-02SF	50	26	S19HEX	13	G1/4 NPT1/4
10	JR-ISOA-03SF	57.1	31.5	S22HEX	16	G3/8 NPT3/8
12.5	JR-ISOA-04SF	66	38.5	S27HEX	18	G1/2 NPT1/2
20	JR-ISOA-06SF	82.5	48	S34HEX	20.5	G3/4 NPT3/4
25	JR-ISOA-08SF	100	56	S41HEX	20.5	G1 NPT1

JR-FF Flat Face Type Hydraulic Quick Coupling(steel)(new)

Descriptions



ISO	PART NO.	LS	ϕd	C	$\frac{2}{\text{°}}$	A	T
6.3	JR-ISOA-02PF	38.5	11.8	15	S19HEX	13	G1/4 NPT1/4
10	JR-ISOA-03PF	39	17.3	19	S22HEX	16	G3/8 NPT3/8
12.5	JR-ISOA-04PF	44	20.5	29	S27HEX	18	G1/2 NPT1/2
20	JR-ISOA-06PF	55	29	29	S34HEX	20.5	G3/4 NPT3/4
25	JR-ISOA-08PF	66	34.3	35	S41HEX	20.5	G1 NPT1



ISO	PART NO.	L	ϕD	$\frac{1}{\text{°}}$	$\frac{2}{\text{°}}$	A	T
6.3	JR-ISOA-02	38.5	11.8	S19HEX	S19HEX	13	G1/4 NPT1/4
10	JR-ISOA-03	39	17.3	S22HEX	S22HEX	16	G3/8 NPT3/8
12.5	JR-ISOA-04	44	20.5	S27HEX	S27HEX	18	G1/2 NPT1/2
20	JR-ISOA-06	55	29	S34HEX	S34HEX	20.5	G3/4 NPT3/4
25	JR-ISOA-08	66	34.3	S41HEX	S41HEX	20.5	G1 NPT1

JR-KZE-BC Thread Type Hydraulic Quick Coupling(steel)

Descriptions

Applications:JR-KZE-BC can widely used on dumptracks, Buses, Agricultural machinery and mobile construction equipment.

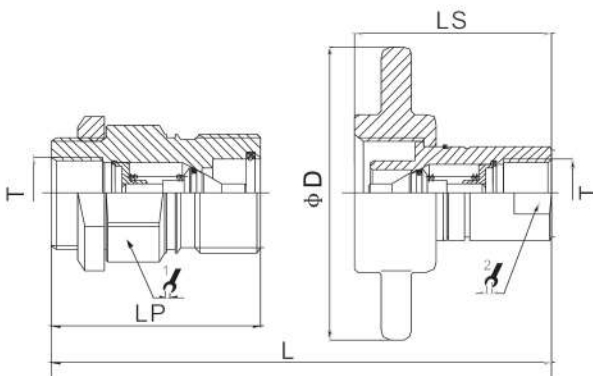
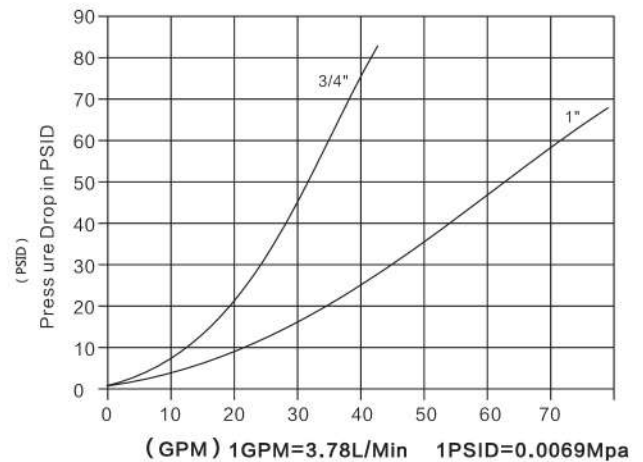


SPECIFICATIONS

Body Size(in)	3/4	1"
Rated Pressure(PSI)	4000	3000
Rated Flow(GPM)	25	50
Temperature Range(std seals)	-20 °C to +120 °C	
Standard seal material	NBR	

- JR-KZE-BC is a thread-to-connect coupling, socket with wing nut can operate by manual with left over pressure.
- Compatible with FASTER CVE series, HOLMBURY VCR series.

JR-KZE-BC Series (3/4",1")
 Test Fluid:Oil-200SUS



PART NO.	T	φD	1/2"	3/4"	L	LS	LP
JR-KZE-BC-06	G3/4	115.4	46	33	132.5	78	78
JR-KZE-BC-08	G3/8	115.4	55	40	145	83	83

JR-KZF Close Type Pneumatic and Hydraulic Quick Coupling(stainless steel 304)

Descriptions

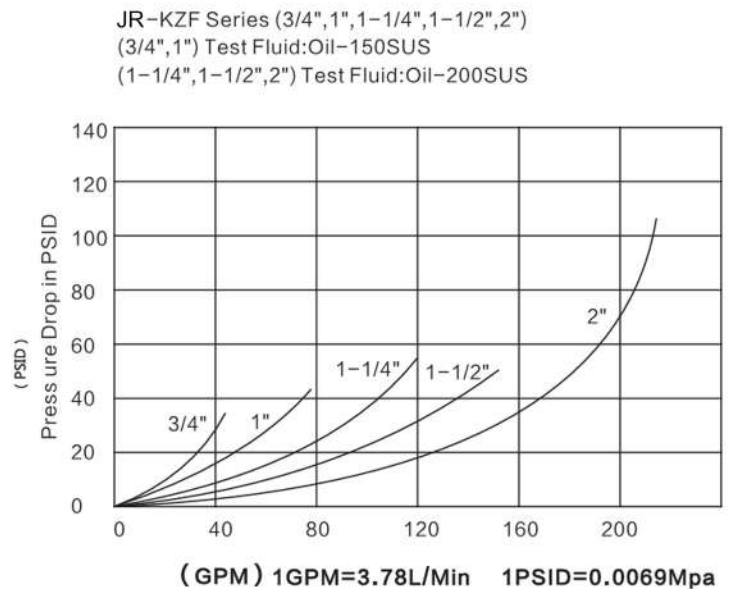
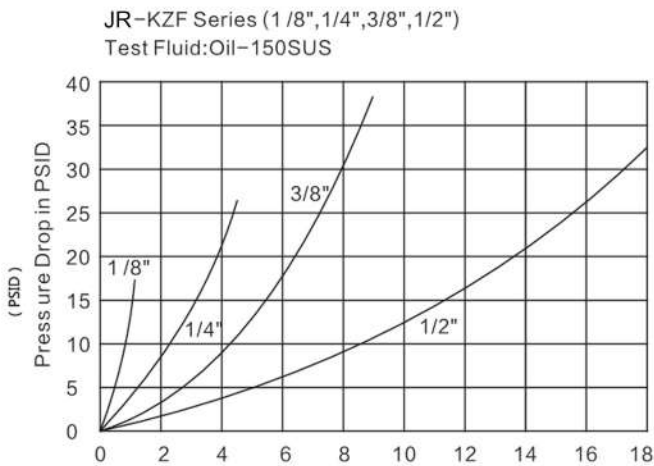
Applications:JR-KZF couplings, are used across the spectrum of hydraulic applications. These Double Shut-Ofcouplings can be found anywhere that fluid transfer lines need to be connected and disconnected for operation or maintenance of equipment, and a loss of fluid is undesirable. Primarily used with hydraulic fluid. JR-KZF couplings are also used with chemicals, water, steam, and some gases.



SPECIFICATIONS

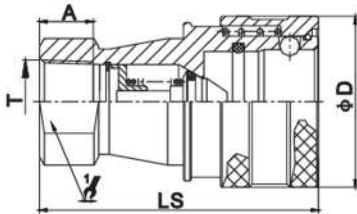
Body Size(in)	1/8	1/4	3/8	1/2	5/8	3/4	1	1-1/4	1-1/2	2
Rated Pressure(PSI)	1000	1000	1000	1000	1000	1000	1000	800	800	800
Rated Flow(GPM)	1	3	6	12	20	28	50	75	100	150
Temperature Range(std seals)	-20 °C to +120 °C									
Standard seal material	NBR									

- Poppet valves available to prevent uncoupled leakage.
- Poppet valves open automatically when coupled within rated working pressure, to keep the flow expedite.
- Dependable ball-locking mechanism holds the mating halves together.
- Socket and plug are precision machined from solid bar stock.
- JR-KZF series conforms to the standard ISO7241-B.
- Compatible with PARKER 60 Series, FASTER HNV Series, AEROQUIP FD45 Series and HANSEN HK Series.



JR-KZF Close Type Pneumatic and Hydraulic Quick Coupling(stainless steel 304)

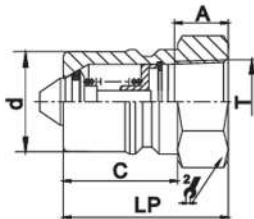
Descriptions



Socket

ISO	PART NO.	LS	φD	$\frac{1}{2}$	A	T
5	JR-KZF-01SF	48	24	14	8	G1/8
6.3	JR-KZF-02SF	58	27	19	12.5	ZG1/4
10	JR-KZF-03SF	65	35	22	13	ZG3/8
12.5	JR-KZF-04SF	72.5	45	29	14	ZG1/2
20	JR-KZF-06SF	88	54	36	17	ZG3/4
25	JR-KZF-08SF	102	64.5	41	23	ZG1
31.5	JR-KZF-10SF	115	69	54	27	ZG1-1/4
40	JR-KZF-12SF	124	79	60	27	ZG1-1/2
50	JR-KZF-16SF	132	102	77	30	ZG2

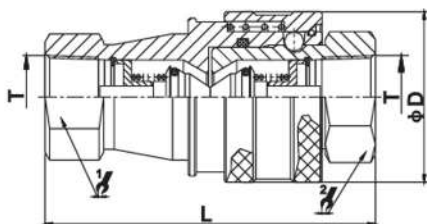
Note: Only size 01 to 08 conform to the standard of ISO 7241-B



Plug

ISO	PART NO.	LP	d	C	$\frac{2}{2}$	A	T
5	JR-KZF-01SF	29	10.8	19	14	8	G1/8
6.3	JR-KZF-02SF	36	14.2	22.5	17	12.5	ZG1/4
10	JR-KZF-03SF	40	19	25	22	13	ZG3/8
12.5	JR-KZF-04SF	44	23.5	28	27	14	ZG1/2
20	JR-KZF-06SF	52	31.4	36	36	17	ZG3/4
25	JR-KZF-08SF	62	37.8	40	41	23	ZG1
31.5	JR-KZF-10SF	70	45	45	52	27	ZG1-1/4
40	JR-KZF-12SF	75	50	49	60	27	ZG1-1/2
50	JR-KZF-16SF	80	70	52	77	30	ZG2

Note: Only size 01 to 08 conform to the standard of ISO 7241-B



Coupling Fitting

ISO	PART NO.	L	φD	$\frac{1}{2}$	$\frac{2}{2}$	T
5	JR-KZF-01	58.5	24	14	14	G1/8
6.3	JR-KZF-02	72.5	27	19	17	ZG1/4
10	JR-KZF-03	80.5	35	22	22	ZG3/8
12.5	JR-KZF-04	89	45	29	27	ZG1/2
20	JR-KZF-06	105	54	36	36	ZG3/4
25	JR-KZF-08	124.5	64.5	41	41	ZG1
31.5	JR-KZF-10	140.5	69	54	52	ZG1-1/4
40	JR-KZF-12	150.5	79	60	60	ZG1-1/2
50	JR-KZF-16	160.5	102	77	77	ZG2

Note: Only size 01 to 08 conform to the standard of ISO 7241-B

JR Series Type Check Valve

Descriptions

Tubular mounted check valves are suitable for any type of hydraulic system without high viscosity. The standard type is galvanized carbon steel. The steel body is therefore particularly suitable for the medium of non-corrosive mineral base oils and liquids.



SPECIFICATIONS



Model	DN	PN(bar)	L	D	S	M	H
JR-G1/4	6	400	55	18.5	19	G1/4	12
JR-G3/8	10	400	73	23.5	24	G3/8	14
JR-G1/2	12	350	77	29.5	30	G1/2	16
JR-G3/4	15	350	85	35.5	36	G3/4	18
JR-G1	20	350	106	45.5	46	G1	20
JR-G1 1/4	25	250	130	54.5	55	G1 1/4	22
JR-G1 1/2	30	250	138	64.5	65	G1 1/2	24
JR-G2	40	250	160	74.5	75	G2	26

Model	DN	PN(bar)	L	D	S	M	H
JR-M14 × 1.5	6	400	55	18.5	19	M14 × 1.5	12
JR-M18 × 1.5	10	400	73	23.5	24	M18 × 1.5	14
JR-M22 × 1.5	12	350	77	29.5	30	M22 × 1.5	16
JR-M27 × 2	15	350	85	35.5	36	M27 × 2	18
JR-M33 × 2	20	350	106	45.5	46	M33 × 2	20
JR-M42 × 2	25	250	130	54.5	55	M42 × 2	22
JR-M48 × 2	30	250	138	64.5	65	M48 × 2	24
JR-M60 × 2	40	250	160	74.5	75	M60 × 2	26

Model	DN	PN(bar)	L	D	S	M	H
JR-NPT1/4	6	400	55	18.5	19	NPT1/4	12
JR-NPT3/8	10	400	73	23.5	24	NPT3/8	14
JR-NPT1/2	12	350	77	29.5	30	NPT1/2	16
JR-NPT3/4	15	350	85	35.5	36	NPT3/4	18
JR-NPT1	20	350	106	45.5	46	NPT1	20
JR-NPT1 1/4	25	250	130	54.5	55	NPT1 1/4	22
JR-NPT1 1/2	30	250	138	64.5	65	NPT1 1/2	24
JR-NPT2	40	250	160	74.5	75	NPT2	26

Model	DN	PN(bar)	L	D	S	M	H
JR-BSPT1/4	6	400	55	18.5	19	BSPT1/4	12
JR-BSPT3/8	10	400	73	23.5	24	BSPT3/8	14
JR-BSPT1/2	12	350	77	29.5	30	BSPT1/2	16
JR-BSPT3/4	15	350	85	35.5	36	BSPT3/4	18
JR-BSPT1	20	350	106	45.5	46	BSPT1	20
JR-BSPT1 1/4	25	250	130	54.5	55	BSPT1 1/4	22
JR-BSPT1 1/2	30	250	138	64.5	65	BSPT1 1/2	24
JR-BSPT2	40	250	160	74.5	75	BSPT2	26

KHB,KHM Series High Pressure Ball Valve

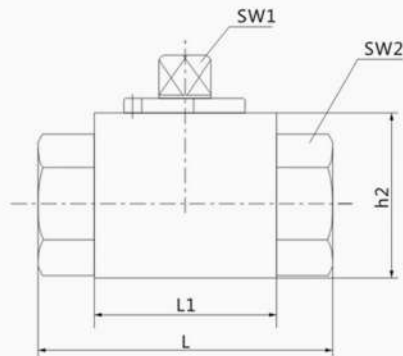
Model Code

KHB,KHM	Product Code
	KHB-Valve block Ball-shaped DN04-25/40 KHM-Sleeves Ball-shaped DN32-50
G1/2	Thread size or the pipe diameter and connection type
	G1/2
1	Valve and joints material
	1-Carbon steel 4-Stainless Steel
1	Ball and spindle material control
	1-Carbon steel 4-Stainless Steel
1	The seal material
	1-POM 4-Polytetrafluoroethylene 5-PEEK
2	Joint seal and Control spindle seal
	2-NBR 4-FPM 6-EPDM
04	Handle Type
	01-Aluminum alloy crank 02-Aluminum alloy straight handle 03-Zinc alloy crank 04-Zinc Alloy Straight Shank 05-Steel crank 06-Steel Straight handle
*	Surface Treatment
	Default plating blue white zinc Please specify other requirements

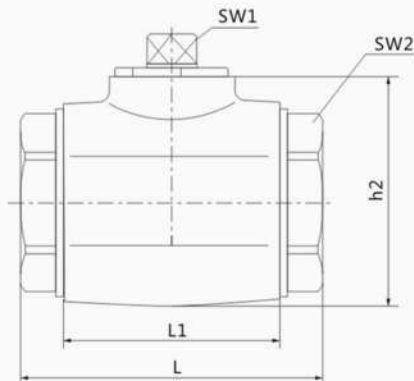


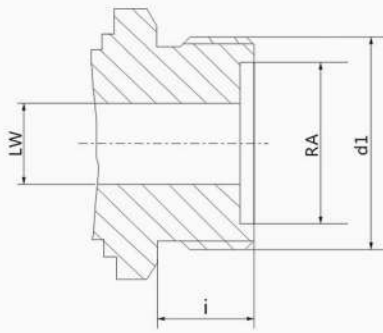
Dimensions

KHB(BKH)

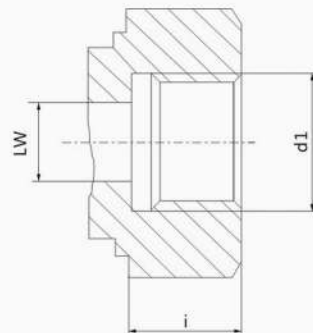


KHM

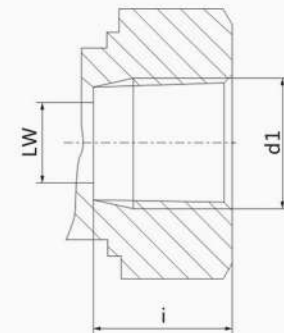




JB987-77



ISO 228



ANSI B1.20.1

JB987-77 External thread seal

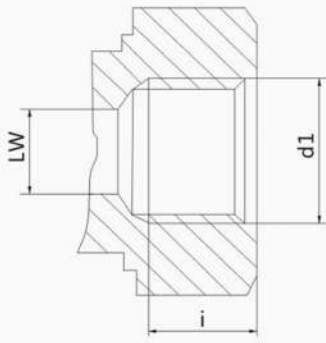
Model	DN	PN	LW	RA	D1	i	L	L1	B	H	H1	H2	H3	SW1	SW2
KHB-M12×1.25	4	500	4	8	M12×1.25	9	61	39	28	44.5	13	34	8	9	24
KHB-M16×1.5	6	500	6	11	M16×1.5	11	69	39	28	44.5	13	34	8	9	24
KHB-M22×1.5	8	500	8	16	M22×1.5	12	76	43	32	52.5	17	40	8	9	27
KHB-M27×1.5	10	500	10	20	M27×1.5	12	76	43	32	52.5	17	40	8	9	32
KHB-M30×1.5	16	400	15	24	M30×1.5	13	84	48	38	63.5	19	46	11	9	32
KHB-M36×2	20	315	20	30	M36×2	15	103	61	48	75	24	57	12	12	41
KHB-M42×2	25	315	25	35	M42×2	18	116	66	57	82	28.5	64	12	12	46
KHM-M52×2	32	315	30	40	M52×2	20	149	84	82	108	41	87.5	14	14	55
KHM-M60×2	40	315	38	50	M60×2	22	174	92	93	119.5	46.5	99	14	17	70
KHM-M72×2	50	315	48	60	M72×2	24	178	100	110	135.5	55	115	14	17	80

ISO 228 Internal thread

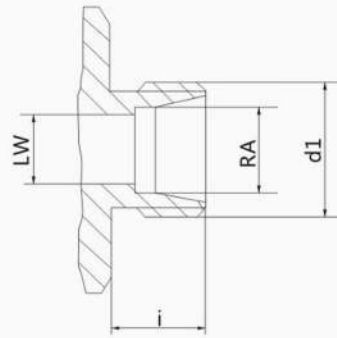
Model	DN	PN	LW	D1	i	L	L1	B	H	H1	H2	H3	SW1	SW2
KHB-G1/8	4	500	6	G1/8	10	69	39	28	44.5	13	32	8	9	24
KHB-G1/4	6	500	6	G1/4	14	69	39	28	44.5	13	32	8	9	24
KHB-G3/8	10	500	10	G3/8	14	72	43	32	52.5	17	40	8	9	27
KHB-G1/2	13	500	13	G1/2	16	83	49	35	52.5	17	40	8	9	32
KHB-G1/2	16	400	15	G1/2	16	83	48	38	63.5	19	46	11	12	32
KHB-G3/4	20	315	20	G3/4	18	95	61	48	75	24	57	12	12	41
KHB-G1	25	315	25	G1	20.5	113	66	57	82	28.5	64	12	12	46
KHB-G1 ¹ / ₄	25/32	315	25	G1 ¹ / ₄	22	120	66	60	82	28.5	64	12	14	55
KHB-G1 ¹ / ₂	25/40	315	25	G1 ¹ / ₂	24	130	66	60	82	28.5	64	12	14	55
KHM-G1 ¹ / ₄	32	315	30	G1 ¹ / ₄	22	110	84	82	108	41	87.5	14	17	60
KHM-G1 ¹ / ₂	40	315	38	G1 ¹ / ₂	24	130	92	93	119.5	46.5	99	14	17	70
KHM-G2	50	315	48	G2	26	140	100	110	135.5	55	115	14	17	80

ANSI B1.20.1 NPT NPT Female

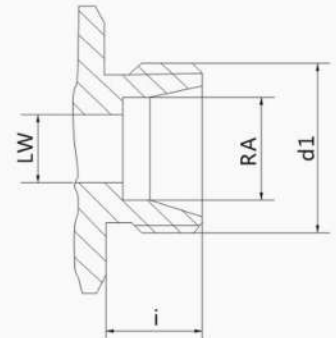
Model	DN	PN	LW	D1	i	L	L1	B	H	H1	H2	H3	SW1	SW2
KHB-1/8NPT	4	500	6	1/8NPT	10.5	69	39	28	44.5	13	32	8	9	24
KHB-1/4NPT	6	500	6	1/4NPT	14	69	39	28	44.5	13	32	8	9	24
KHB-3/8NPT	10	500	10	3/8NPT	14	72	43	32	52.5	17	40	8	9	27
KHB-1/2NPT	13	500	13	1/2NPT	17	83	49	35	52.5	17	40	8	9	32
KHB-3/4NPT	20	315	20	3/4NPT	19	95	61	48	75	24	57	12	12	41
KHB-1NPT	25	315	25	1NPT	22.5	113	66	57	82	28.5	64	12	12	50
KHB-1 ¹ / ₄ NPT	25/32	315	25	1 ¹ / ₄ NPT	22.5	120	66	60	82	28.5	64	12	14	55
KHB-1 ¹ / ₂ NPT	25/40	315	25	1 ¹ / ₂ NPT	25	130	66	60	82	28.5	64	12	14	55
KHM-1 ¹ / ₄ NPT	32	315	30	1 ¹ / ₄ NPT	25	120	84	82	108	41	87.5	14	14	55
KHM-1 ¹ / ₂ NPT	40	315	38	1 ¹ / ₂ NPT	25	130	92	93	119.5	46.5	99	14	17	70
KHM-2NPT	50	315	48	2NPT	30	140	100	110	135.5	55	115	14	17	80



SAE J514



DIN 2353 LR



DIN 2353 SR

SAE J 514 UN/UNF Internal thread

Model	DN	PN	LW	D1	i	L	L1	B	H	H1	H2	H3	SW1	SW2
KHB-SAE4	6	500	6	SAE4	12	69	39	28	44.5	13	32	8	9	24
KHB-SAE6	10	500	10	SAE6	13	72	43	32	52.5	17	40	8	9	27
KHB-SAE8	13	500	13	SAE8	15	83	49	35	52.5	17	40	8	9	32
KHB-SAE12	20	315	20	SAE12	20	95	61	48	75	24	57	12	12	41
KHB-SAE16	25	315	25	SAE16	20	113	66	57	82	28.5	64	12	12	46
KHB-SAE20	25/32	315	25	SAE20	20	120	66	60	82	28.5	64	12	12	55
KHB-SAE24	25/40	315	25	SAE24	20	130	66	60	82	28.5	64	12	12	55
KHM-SAE20	32	315	30	SAE20	20	120	84	82	108	41	87.5	14	14	55
KHM-SAE24	40	315	38	SAE24	20	130	92	93	119.5	46.5	99	14	17	70
KHM-SAE32	50	315	40	SAE32	20	140	100	110	135.5	55	115	14	17	80

DIN 2353 light series

Model	DN	PN	LW	RA	D1	i	L	L1	B	H	H1	H2	H3	SW1	SW2
KHB-06LR	4	500	4	6	M12×1.5	10	67	39	28	44.5	13	32	8	9	24
KHB-08LR	6	500	6	8	M14×1.5	10	67	39	28	44.5	13	32	8	9	24
KHB-10LR	8	500	8	10	M16×1.5	11	74	43	32	52.5	17	40	8	9	27
KHB-12LR	10	500	10	12	M18×1.5	11	74	43	32	52.5	17	40	8	9	27
KHB-15LR	13	500	13	15	M22×1.5	12	82	49	35	52.5	17	40	8	9	32
KHB-15LR	16	400	13	15	M22×1.5	12	82	48	38	63.5	19	46	11	9	32
KHB-18LR	13	500	13	18	M26×1.5	12	82	49	35	52.5	17	40	8	9	32
KHB-18LR	16	400	15	18	M26×1.5	12	82	48	38	63.5	19	46	11	12	32
KHB-22LR	20	315	19	22	M30×2	14	101	61	48	75	24	57	12	12	41
KHB-28LR	25	315	25	28	M36×2	14	108	66	57	82	28.5	64	12	12	46
KHB-35LR	25/32	315	25	35	M45×2	16	112	66	60	82	28.5	64	12	14	46
KHM-35LR	32	315	30	35	M45×2	16	141	84	82	108	41	87.5	14	14	60
KHM-42LR	40	315	38	42	M52×2	16	162	92	93	119.5	46.5	99	14	17	70

DIN 2353 Heavy Series

Model	DN	PN	LW	RA	D1	L	i	L1	B	H	H1	H2	H3	SW1	SW2
KHB-08SR	4	500	5	8	M16×1.5	12	73	39	28	44.5	13	32	8	9	24
KHB-10SR	6	500	6	10	M18×1.5	12	73	39	28	44.5	13	32	8	9	24
KHB-12SR	8	500	8	12	M20×1.5	12	76	43	32	52.5	17	40	8	9	27
KHB-14SR	10	500	10	14	M22×1.5	14	80	43	32	52.5	17	40	8	9	27
KHB-16SR	13	500	13	16	M24×1.5	14	86	49	35	52.5	17	40	8	9	32
KHB-20SR	13	500	13	20	M30×2	16	90	49	35	52.5	17	40	8	9	32
KHB-20SR	16	400	15	22	M30×2	16	90	48	38	63.5	19	46	11	9	32
KHB-25SR	20	315	19	25	M36×2	18	109	61	48	75	24	57	12	12	41
KHB-30SR	25	315	25	30	M42×2	20	120	66	57	82	28.5	64	12	12	46
KHB-38SR	25/32	315	25	38	M52×2	22	124	66	60	82	28.5	64	12	14	55
KHM-38SR	32	315	30	38	M52×2	22	153	84	82	108	41	87.5	14	14	60

KHB,KHM Series High Pressure Ball Valve

Metric female thread



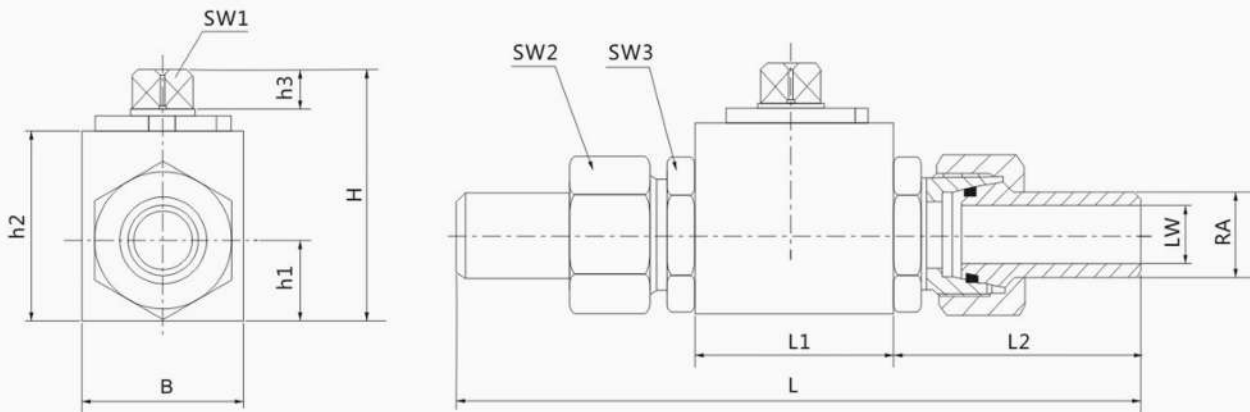
Model	DN	PN	LW	D1	i	L	L1	B	H	H1	H2	H3	SW1	SW2
KHB-N-M14×1.5	6	500	6	M14×1.5	14	69	39	28	44.5	13	32	8	9	22
KHB-N-M18×1.5	10	500	10	M18×1.5	13	72	43	32	52.5	17	40	8	9	27
KHB-N-M22×1.5-SW9	13	500	13	M22×1.5	15	83	49	35	52.5	17	40	8	9	30
KHB-N-M22×1.5-SW12	16	400	15	M22×1.5	16	83	48	38	63.5	19	46	11	12	32
KHB-N-M27×2	20	315	20	M27×2	18	95	61	48	75	24	57	12	14	41
KHB-N-M33×2	25	315	25	M33×2	20	113	66	57	85	28.5	64	12	14	50
KHB-N-M42×2	32	315	30	M42×2	22	120	73	82	108	41	87.5	14	17	60
KHB-N-M48×2	40	315	38	M48×2	24	130	94	93	119.5	46.5	99	14	17	70
KHB-N-M60×2	50	315	48	M60×2	26	140	100	110	135.5	55	115	14	17	80

ISO 7-1 female thread



Model	DN	PN	LW	D1	i	L	L1	B	H	H1	H2	H3	SW1	SW2
KHB-1/4BSPT	6	500	6	Rc1/4	14	69	38	28	44.5	13	32	8	9	22
KHB-3/8BPST	10	500	10	Rc3/8	14	72	43	32	52.5	17	40	8	9	27
KHB-1/2BSPT	13	500	13	Rc1/2	17	83	49	35	52.5	17	40	8	9	30
KHB-3/4BSPT	20	315	20	Rc3/4	20	95	61	48	75	24	57	12	14	41
KHB-1BSPT	25	315	25	Rc1	22.5	113	66	57	82	28.5	64	12	14	50
KHM-1/4BSPT	32	315	30	Rc1 ¹ /4	25	120	84	82	108	41	87.5	14	17	60
KHM-1/2BSPT	40	315	38	Rc1 ¹ /2	25	130	92	93	119.5	46.5	99	14	17	70
KHM-2BSPT	50	315	48	Rc2	30	140	100	110	135	55	115	14	17	80

Conical seal welding



ANSI B1.20.1 NPT NPT Female

Model	DN	PN	RA	L	L1	L2	B	H	H1	H2	H3	SW1	SW2	SW3
KHB-14MZ	8	8	14	143	43	50.5	32	52.5	17	40	8	9	27	27
KHB-16MZ	10	10	16	145	43	51.5	32	52.5	17	40	8	9	32	30
KHB-20MZ	15	13	20	156	49	54.5	38	63.5	19	46	11	12	36	32
KHB-25MZ	20	18	25	190	61	65	48	75	24	57	12	14	41	41
KHB-30MZ	25	20	30	204	66	69.5	57	82	28.5	64	12	14	50	50

Ordering Example

- (1) Valve block-shaped internal threaded connection, thread specifications G3/4, the material for the conventional combination, the handle for the zinc alloy pressure crank, the surface of the environmental protection of zinc, its model: KHB-G3/4-04 environmental protection of zinc
- (2) Sleeve-type ball valve, tube O.D. 35.Sleeve type light series, the material is conventional combination, steel pressure type crank, surface environmental protection zinc, its model:KHM-35LR-06 environmental protection zinc
- (3) Please consult with us for special requirements.

KHB3K Two-position Three-way High Pressure Ball Valve

Model Code

KHB3K/KHB3K-S	Product Code
	KHB3K- Valve blockball valve DN04-50 KHB3K-S Valve blockballvalve DN04-50
G1/2	Thread size or the pipe diameter and connection type
	G1/2
L	Valve function Symbol
	See below uses symbols
1	Valve and joints material
	1-Carbon steel 4-Stainless Steel
1	Ball and spindle material control
	1-Carbon steel 4-Stainless Steel
L	The seal material
	1-POM 4-Polytetrafluoroethylene 5-PEEK
2	Joint seal and Control spindle seal
	2-NBR 4-FPM 6-EPDM
04	Handle Type
	01-Aluminum alloy crank 02-Aluminum alloy straight handle 03-Zinc alloy crank 04-Zinc Alloy Straight Shank 05-Steel crank 06-Steel Straight handle
*	Surface Treatment
	Default plating blue white zinc Please specify other requirements

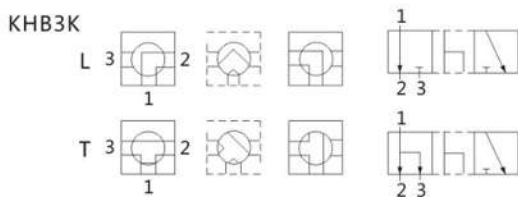


Valve Function

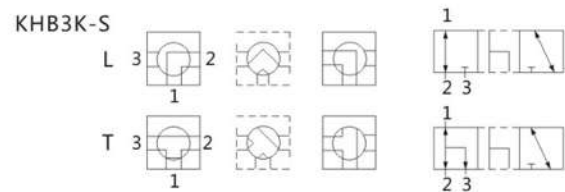
KHB3K Hydraulic oil just can flow into valve through port "1" and the valve only can be sealed under the two situations:

- 1) Pressure at the closed port is zero;
- 2) Pressure at the closed port is lower than at the two open ports. KHB3K-S All ports can be used as pressure inlets! Can only be turned on or off at $\Delta P=0\text{bar}$!

Valve Function Symbol

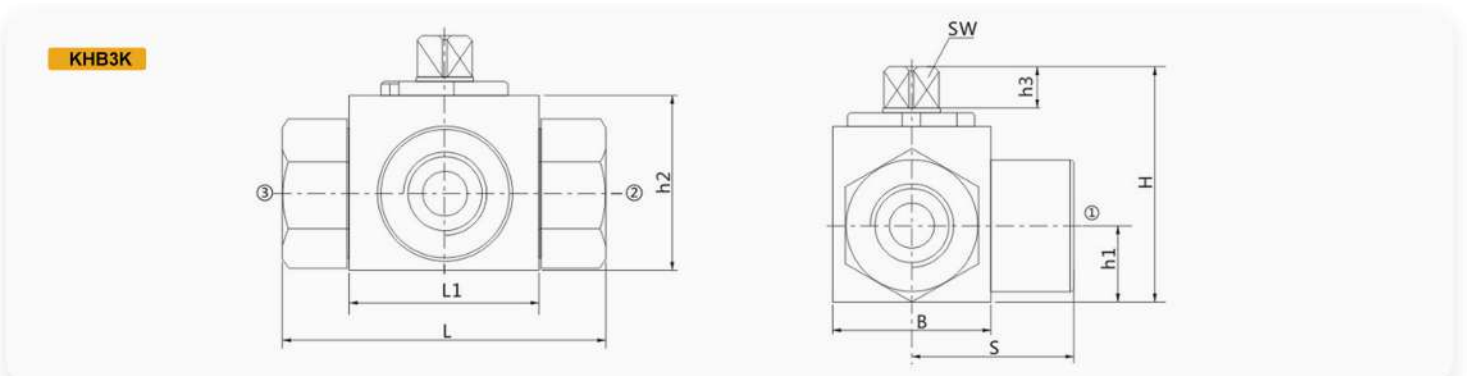


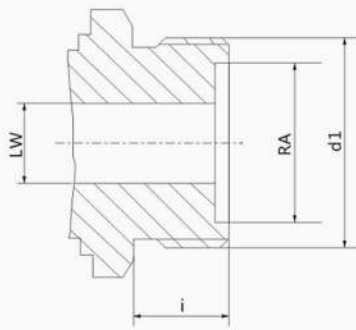
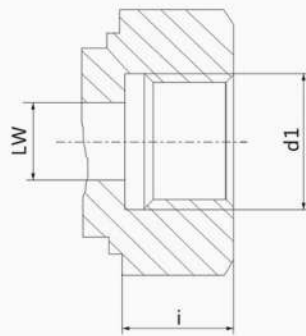
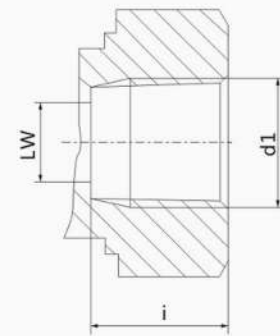
△ Pressure inlet from center port only



△ All ports can be used as pressure inlets!
Can only be opened or closed at

Dimensions



KHB3K Two-position Three-way High Pressure Ball Valve

JB984-77

ISO 228

ANSI B1.20.1
JB984-77 Male Face Sealk

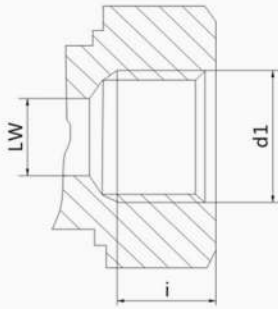
Model	DN	PN	LW	RA	D1	i	L	L1	B	H	H1	H2	H3	SW1	S
KHB3K-M12×1.25	4	315	4	8	M12×1.25	9	61	39	28	44.5	13	34	8	9	35
KHB3K-M16×1.5	6	315	6	11	M16×1.5	11	69	39	28	44.5	13	34	8	9	35
KHB3K-M22×1.5	8	315	8	16	M22×1.5	12	76	43	32	52.5	17	40	8	9	38
KHB3K-M27×1.5	10	315	10	20	M27×1.5	12	76	43	32	52.5	17	40	8	9	38
KHB3K-M30×1.5	16	315	15	24	M30×1.5	13	84	48	38	63.5	19	43	11	12	42
KHB3K-M36×2	20	315	20	30	M36×2	15	103	61	48	75	24	54	12	12	52
KHB3K-M42×2	25	315	25	35	M42×2	18	116	66	55	82	28.5	61	12	12	58
KHB3K-M52×2	32	315	30	40	M52×2	20	149	84	75	104.5	37.5	84	14	14	72
KHB3K-M60×2	40	315	38	50	M60×2	22	174	92	85	115.5	42.5	95	14	17	79.5
KHB3K-M72×2	50	315	48	60	M72×2	24	178	100	105	133	52.5	112.5	14	17	89

ISO 228 Female

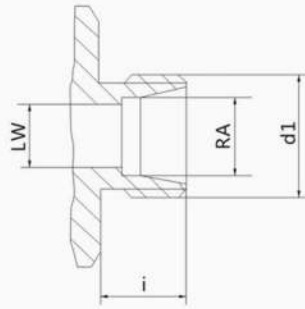
Model	DN	PN	LW	D1	i	L	L1	B	H	H1	H2	H3	SW1	S
KHB3K-G1/8	4	315	6	G1/8	10	69	39	28	44.5	13	34	8	9	35
KHB3K-G1/4	6	315	6	G1/4	14	69	39	28	44.5	13	34	8	9	35
KHB3K-G3/8	10	315	10	G3/8	14	72	43	32	52.5	17	40	8	9	36
KHB3K-G1/2	13	315	13	G1/2	16	83	49	35	52.5	17	40	8	9	40
KHB3K-G1/2	16	315	15	G1/2	16	83	48	38	63.5	19	43	11	9	42
KHB3K-G3/4	20	315	20	G3/4	18	95	61	48	75	24	54	12	12	49
KHB3K-G1	25	315	25	G1	20.5	113	66	55	82	28.5	61	12	12	56.5
KHB3K-G1 ¹ / ₄	25/32	315	25	G1 ¹ / ₄	22	120	66	60	82	28.5	61	12	14	60
KHB3K-G1 ¹ / ₄	32	315	30	G1 ¹ / ₄	22	110	84	75	104.5	37.5	84	14	17	55
KHB3K-G1 ¹ / ₂	40	315	38	G1 ¹ / ₂	24	130	94	85	115.5	42.5	95	14	17	65
KHB3K-G2	50	315	48	G2	26	140	100	105	133	52.5	112.5	14	17	70

ANSI B1.20.1 NPT NPT Female

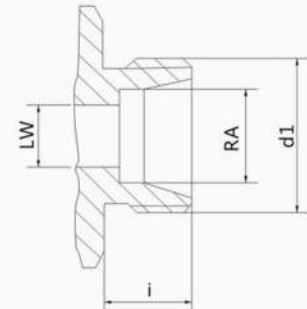
Model	DN	PN	LW	D1	i	L	L1	B	H	H1	H2	H3	SW1	S
KHB3K-1/8NPT	4	315	6	1/8NPT	10.5	69	39	28	44.5	13	34	8	9	35
KHB3K-1/4NPT	6	315	6	1/4NPT	14	69	39	28	44.5	13	34	8	9	35
KHB3K-3/8NPT	10	315	10	3/8NPT	14	72	43	32	52.5	17	40	8	9	36
KHB3K-1/2NPT	13	315	13	1/2NPT	17	83	49	35	52.5	17	40	8	9	40
KHB3K-3/4NPT	20	315	20	3/4NPT	19	95	61	48	75	24	54	12	12	49
KHB3K-1NPT	25	315	25	1NPT	22.5	113	66	55	82	28.5	61	12	12	56.5
KHB3K-1 ¹ / ₄ NPT	25/32	315	25	1 ¹ / ₄ NPT	22.5	120	66	60	82	28.5	61	12	12	60
KHB3K-1 ¹ / ₄ NPT	32	315	30	1 ¹ / ₄ NPT	25	120	84	75	104.5	37.5	84	14	14	60
KHB3K-1 ¹ / ₂ NPT	40	315	38	1 ¹ / ₂ NPT	25	130	94	85	115.5	42.5	95	14	17	70
KHB3K-2NPT	50	315	48	2NPT	30	140	100	105	133	52.5	112.5	14	17	75



SAE J514



DIN 2353 LR



DIN 2353 SR

SAE J 514 UN/UNF Female

Model	DN	PN	LW	D1	i	L	L1	B	H	H1	H2	H3	SW1	S
KHB3K-SAE4	6	315	6	SAE4	12	69	39	28	44.5	13	34	8	9	35
KHB3K-SAE6	10	315	10	SAE6	13	72	43	32	52.5	17	40	8	9	36
KHB3K-SAE8	13	315	13	SAE8	15	83	49	37	52.5	17	40	8	9	40
KHB3K-SAE12	20	315	20	SAE12	20	95	61	48	75	24	54	12	12	49
KHB3K-SAE16	25	315	25	SAE16	20	113	66	55	82	28.5	61	12	12	56.5
KHB3K-SAE20	25/32	315	25	SAE20	20	120	66	60	82	28.5	61	12	12	60
KHB3K-SAE20	32	315	30	SAE20	20	120	84	75	104.5	37.5	84	14	14	60
KHB3K-SAE24	40	315	38	SAE24	20	130	94	85	115.5	42.5	95	14	17	70
KHB3K-SAE32	50	315	48	SAE32	20	140	100	105	133	52.5	112.5	14	17	75

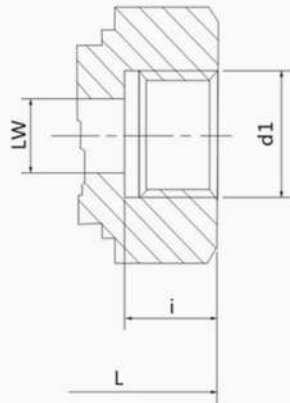
DIN 2353 Light Series

Model	DN	PN	LW	RA	D1	i	L	L1	B	H	H1	H2	H3	SW1	S
KHB3K-06LR	4	315	4	6	M12×1.5	10	67	39	28	44.5	13	32	8	9	34.5
KHB3K-08LR	6	315	6	8	M14×1.5	10	67	39	28	44.5	13	32	8	9	34.5
KHB3K-10LR	8	315	8	10	M16×1.5	11	74	43	32	52.5	17	40	8	9	37
KHB3K-12LR	10	315	10	12	M18×1.5	11	74	43	32	52.5	17	40	8	9	37
KHB3K-15LR	13	315	13	15	M22×1.5	12	82	49	37	52.5	17	43	8	9	40
KHB3K-18LR	13	315	13	18	M26×1.5	12	82	49	37	52.5	17	43	8	9	42
KHB3K-18LR	16	315	15	18	M26×1.5	12	82	48	38	63.5	19	46	11	9	42
KHB3K-22LR	20	315	19	22	M30×2	14	101	61	48	75	24	54	12	12	52
KHB3K-28LR	25	315	25	28	M36×2	14	108	66	55	82	28.5	61	12	12	54
KHB3K-35LR	25/32	315	25	35	M45×2	16	112	66	60	82	28.5	64	12	14	56

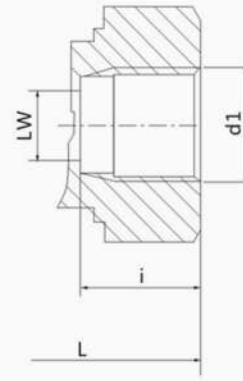
DIN 2353 Heavy Series

Model	DN	PN	LW	RA	D1	L	i	L1	B	H	H1	H2	H3	SW1	S
KHB3K-08SR	4	315	5	8	M16×1.5	12	73	39	28	44.5	13	34	8	9	37
KHB3K-10SR	6	315	6	10	M18×1.5	12	73	39	28	44.5	13	34	8	9	37
KHB3K-12SR	8	315	8	12	M20×1.5	12	76	43	32	52.5	17	40	8	9	38
KHB3K-14SR	10	315	10	14	M22×1.5	14	80	43	32	52.5	17	40	8	9	40
KHB3K-16SR	13	315	13	16	M24×1.5	14	86	49	35	52.5	17	40	8	9	43.5
KHB3K-20SR	13	315	13	20	M30×2	16	90	49	35	52.5	17	40	8	9	45.5
KHB3K-20SR	16	315	15	22	M30×2	16	90	48	38	63.5	19	46	11	12	45.5
KHB3K-25SR	20	315	19	25	M36×2	18	109	61	48	75	24	54	12	12	56
KHB3K-30SR	25	315	25	30	M42×2	20	120	66	55	82	28.5	61	12	12	60
KHB3K-38SR	25/32	315	25	38	M52×2	22	124	66	60	82	28.5	64	12	14	62

KHB3K Two-position Three-way High Pressure Ball Valve



METRIC MALE THREAD



ISO7 FEMALE THREAD

Metric Female Thread

Model	DN	PN	LW	D1	i	L	L1	B	H	H1	H2	H3	SW1	S
KHB3K-N-M14×1.5	6	315	6	M14×1.5	14	69	39	28	44.5	13	32	8	9	35
KHB3K-N-M18×1.5	10	315	10	M18×1.5	13	72	43	32	52.5	17	40	8	9	36
KHB3K-N-M22×1.5-SW9	13	315	13	M22×1.5	15	83	49	35	52.5	17	40	8	9	40
KHB3K-N-M27×2	20	315	20	M27×2	18	95	61	48	75	24	57	12	14	49
KHB3K-N-M33×2	25	315	25	M33×2	20	113	66	57	82	28.5	64	12	14	56.5
KHB3K-N-M42×2	32	315	30	M42×2	22	110	85	75	104.5	37.5	84	14	17	55
KHB3K-N-M48×2	40	315	38	M48×2	24	130	94	85	115.5	42.5	95	14	17	65
KHB3K-N-M60×2	50	315	48	M60×2	26	140	100	105	133	52.5	112.5	14	17	75

ISO7-1 Female Thread

Model	DN	PN	LW	D1	i	L	L1	B	H	H1	H2	H3	SW1	S
KHB3K-1/8BSPT	4	315	6	Rc1/8	11	69	39	28	44.5	13	32	8	9	35
KHB3K-1/4BSPT	6	315	6	Rc1/4	14	69	39	28	44.5	13	32	8	9	35
KHB3K-3/8BSPT	10	315	10	Rc3/8	14	72	43	32	52.5	17	40	8	9	36
KHB3K-1/2BSPT	13	315	13	Rc1/2	17	83	49	35	52.5	17	40	8	9	40
KHB3K-3/4BSPT	20	315	20	Rc3/4	19	95	61	48	75	24	57	12	14	49
KHB3K-1BSPT	25	315	25	Rc1	22.5	113	66	57	82	28.5	64	12	14	56.5
KHB3K-1 ¹ / ₄ BSPT	25/32	315	25	Rc1 ¹ / ₄	22.5	120	66	60	82	28.5	64	12	14	60

Ordering Example

- (1) Internal threaded connection, thread specification G3/4, function for L-shaped, parts material for the conventional combination, handle for zinc alloy pressure crank, surface zinc-plated environmental protection, its model: KHB3K-G3/4-L-1112-04 (environmental protection zinc)
- (2) The material code of the part not specified in the order is 1122 conventional material, which can be omitted.

Aluminum Camlock Couplings

TYPE-A	SIZE	PART#1	PART#2
	1/2"	JR-050A-AL	JR-050A-GC
	3/4"	JR-075A-AL	JR-075A-GC
	1"	JR-100A-AL	JR-100A-GC
	1-1/4"	JR-125A-AL	JR-125A-GC
	1-1/2"	JR-150A-AL	JR-150A-GC
	2"	JR-200A-AL	JR-200A-GC
	2-1/2"	JR-250A-AL	JR-250A-GC
	3"	JR-300A-AL	JR-300A-GC
	4"	JR-400A-AL	JR-400A-GC
	5"	JR-500A-AL	JR-500A-GC
	6"	JR-600A-AL	JR-600A-GC
	8"	JR-800A-AL	JR-800A-GC

MALE ADAPTER
X
FEMALE THREAD

ALUM DIE CASTING | ALUM GRAVITY CASTING

TYPE-B	SIZE	PART#1	PART#2
	1/2"	JR-050B-AL	JR-050B-GC
	3/4"	JR-075B-AL	JR-075B-GC
	1"	JR-100B-AL	JR-100B-GC
	1-1/4"	JR-125B-AL	JR-125B-GC
	1-1/2"	JR-150B-AL	JR-150B-GC
	2"	JR-200B-AL	JR-200B-GC
	2-1/2"	JR-250B-AL	JR-250B-GC
	3"	JR-300B-AL	JR-300B-GC
	4"	JR-400B-AL	JR-400B-GC
	5"	JR-500B-AL	JR-500B-GC
	6"	JR-600B-AL	JR-600B-GC
	8"	JR-800B-AL	JR-800B-GC

FEMALE COUPLER
X
MALE THREAD

ALUM DIE CASTING | ALUM GRAVITY CASTING

TYPE-C	SIZE	PART#1	PART#2
	1/2"	JR-050C-AL	JR-050C-GC
	3/4"	JR-075C-AL	JR-075C-GC
	1"	JR-100C-AL	JR-100C-GC
	1-1/4"	JR-125C-AL	JR-125C-GC
	1-1/2"	JR-150C-AL	JR-150C-GC
	2"	JR-200C-AL	JR-200C-GC
	2-1/2"	JR-250C-AL	JR-250C-GC
	3"	JR-300C-AL	JR-300C-GC
	4"	JR-400C-AL	JR-400C-GC
	5"	JR-500C-AL	JR-500C-GC
	6"	JR-600C-AL	JR-600C-GC
	8"	JR-800C-AL	JR-800C-GC


FEMALE COUPLER
X
HOSE SHANK

ALUM DIE CASTING | ALUM GRAVITY CASTING

TYPE-D	SIZE	PART#1	PART#2
	1/2"	JR-050D-AL	JR-050D-GC
	3/4"	JR-075D-AL	JR-075D-GC
	1"	JR-100D-AL	JR-100D-GC
	1-1/4"	JR-125D-AL	JR-125D-GC
	1-1/2"	JR-150D-AL	JR-150D-GC
	2"	JR-200D-AL	JR-200D-GC
	2-1/2"	JR-250D-AL	JR-250D-GC
	3"	JR-300D-AL	JR-300D-GC
	4"	JR-400D-AL	JR-400D-GC
	5"	JR-500D-AL	JR-500D-GC
	6"	JR-600D-AL	JR-600D-GC
	8"	JR-800D-AL	JR-800D-GC


FEMALE COUPLER
X
FEMALE THREAD

ALUM DIE CASTING | ALUM GRAVITY CASTING

TYPE-E	SIZE	PART#1	PART#2
	1/2"	JR-050E-AL	JR-050E-GC
	3/4"	JR-075E-AL	JR-075E-GC
	1"	JR-100E-AL	JR-100E-GC
	1-1/4"	JR-125E-AL	JR-125E-GC
	1-1/2"	JR-150E-AL	JR-150E-GC
	2"	JR-200E-AL	JR-200E-GC
	2-1/2"	JR-250E-AL	JR-250E-GC
	3"	JR-300E-AL	JR-300E-GC
	4"	JR-400E-AL	JR-400E-GC
	5"	JR-500E-AL	JR-500E-GC
	6"	JR-600E-AL	JR-600E-GC
	8"	JR-800E-AL	JR-800E-GC


MALE ADAPTER
X
HOSE SHANK

ALUM DIE CASTING | ALUM GRAVITY CASTING

TYPE-F	SIZE	PART#1	PART#2
	1/2"	JR-050F-AL	JR-050F-GC
	3/4"	JR-075F-AL	JR-075F-GC
	1"	JR-100F-AL	JR-100F-GC
	1-1/4"	JR-125F-AL	JR-125F-GC
	1-1/2"	JR-150F-AL	JR-150F-GC
	2"	JR-200F-AL	JR-200F-GC
	2-1/2"	JR-250F-AL	JR-250F-GC
	3"	JR-300F-AL	JR-300F-GC
	4"	JR-400F-AL	JR-400F-GC
	5"	JR-500F-AL	JR-500F-GC
	6"	JR-600F-AL	JR-600F-GC
	8"	JR-800F-AL	JR-800F-GC


MALE ADAPTER
X
MALE THREAD

ALUM DIE CASTING | ALUM GRAVITY CASTING

TYPE-DC	SIZE	PART#1	PART#2
	1/2"	JR-050DC-AL	JR-050DC-GC
	3/4"	JR-075DC-AL	JR-075DC-GC
	1"	JR-100DC-AL	JR-100DC-GC
	1-1/4"	JR-125DC-AL	JR-125DC-GC
	1-1/2"	JR-150DC-AL	JR-150DC-GC
	2"	JR-200DC-AL	JR-200DC-GC
	2-1/2"	JR-250DC-AL	JR-250DC-GC
	3"	JR-300DC-AL	JR-300DC-GC
	4"	JR-400DC-AL	JR-400DC-GC
	5"	JR-500DC-AL	JR-500DC-GC
	6"	JR-600DC-AL	JR-600DC-GC
	8"	JR-800DC-AL	JR-800DC-GC

DUST CAP

ALUM DIE CASTING | ALUM GRAVITY CASTING

TYPE-DP	SIZE	PART#1	PART#2
	1/2"	JR-050DP-AL	JR-050DP-GC
	3/4"	JR-075DP-AL	JR-075DP-GC
	1"	JR-100DP-AL	JR-100DP-GC
	1-1/4"	JR-125DP-AL	JR-125DP-GC
	1-1/2"	JR-150DP-AL	JR-150DP-GC
	2"	JR-200DP-AL	JR-200DP-GC
	2-1/2"	JR-250DP-AL	JR-250DP-GC
	3"	JR-300DP-AL	JR-300DP-GC
	4"	JR-400DP-AL	JR-400DP-GC
	5"	JR-500DP-AL	JR-500DP-GC
	6"	JR-600DP-AL	JR-600DP-GC
	8"	JR-800DP-AL	JR-800DP-GC

DUST PLUG

ALUM DIE CASTING | ALUM GRAVITY CASTING

Stainless Steel Camlock Couplings

TYPE-A	SIZE	PART#1	PART#2
	1/2"	JR-050A-SS316	JR-050A-SS304
	3/4"	JR-050A-SS316	JR-050A-SS304
	1"	JR-100A-SS316	JR-100A-SS304
	1-1/4"	JR-125A-SS316	JR-125A-SS304
	1-1/2"	JR-150A-SS316	JR-150A-SS304
	2"	JR-200A-SS316	JR-200A-SS304
	2-1/2"	JR-250A-SS316	JR-250A-SS304
	3"	JR-300A-SS316	JR-300A-SS304
	4"	JR-400A-SS316	JR-400A-SS304
	5"	JR-500A-SS316	JR-500A-SS304
	6"	JR-600A-SS316	JR-600A-SS304

MALE ADAPTER
X
FEMALE THREAD

SS316 | SS304

TYPE-B	SIZE	PART#1	PART#2
	1/2"	JR-050B-SS316	JR-050B-SS304
	3/4"	JR-050B-SS316	JR-050B-SS304
	1"	JR-100B-SS316	JR-100B-SS304
	1-1/4"	JR-125B-SS316	JR-125B-SS304
	1-1/2"	JR-150B-SS316	JR-150B-SS304
	2"	JR-200B-SS316	JR-200B-SS304
	2-1/2"	JR-250B-SS316	JR-250B-SS304
	3"	JR-300B-SS316	JR-300B-SS304
	4"	JR-400B-SS316	JR-400B-SS304
	5"	JR-500B-SS316	JR-500B-SS304
	6"	JR-600B-SS316	JR-600B-SS304

FEMALE COUPLER
X
MALE THREAD

SS316 | SS304

TYPE-C	SIZE	PART#1	PART#2
	1/2"	JR-050C-SS316	JR-050C-SS304
	3/4"	JR-050C-SS316	JR-050C-SS304
	1"	JR-100C-SS316	JR-100C-SS304
	1-1/4"	JR-125C-SS316	JR-125C-SS304
	1-1/2"	JR-150C-SS316	JR-150C-SS304
	2"	JR-200C-SS316	JR-200C-SS304
	2-1/2"	JR-250C-SS316	JR-250C-SS304
	3"	JR-300C-SS316	JR-300C-SS304
	4"	JR-400C-SS316	JR-400C-SS304
	5"	JR-500C-SS316	JR-500C-SS304
	6"	JR-600C-SS316	JR-600C-SS304

FEMALE COUPLER
X
HOSE SHANK

SS316 | SS304

TYPE-D	SIZE	PART#1	PART#2
	1/2"	JR-050D-SS316	JR-050D-SS304
	3/4"	JR-050D-SS316	JR-050D-SS304
	1"	JR-100D-SS316	JR-100D-SS304
	1-1/4"	JR-125D-SS316	JR-125D-SS304
	1-1/2"	JR-150D-SS316	JR-150D-SS304
	2"	JR-200D-SS316	JR-200D-SS304
	2-1/2"	JR-250D-SS316	JR-250D-SS304
	3"	JR-300D-SS316	JR-300D-SS304
	4"	JR-400D-SS316	JR-400D-SS304
	5"	JR-500D-SS316	JR-500D-SS304
	6"	JR-600D-SS316	JR-600D-SS304

FEMALE COUPLER
X
FEMALE THREAD

SS316 | SS304

TYPE-E	SIZE	PART#1	PART#2
	1/2"	JR-050E-SS316	JR-050E-SS304
	3/4"	JR-050E-SS316	JR-050E-SS304
	1"	JR-100E-SS316	JR-100E-SS304
	1-1/4"	JR-125E-SS316	JR-125E-SS304
	1-1/2"	JR-150E-SS316	JR-150E-SS304
	2"	JR-200E-SS316	JR-200E-SS304
	2-1/2"	JR-250E-SS316	JR-250E-SS304
	3"	JR-300E-SS316	JR-300E-SS304
	4"	JR-400E-SS316	JR-400E-SS304
	5"	JR-500E-SS316	JR-500E-SS304
	6"	JR-600E-SS316	JR-600E-SS304


MALE ADAPTER
X
HOSE SHANK

SS316 | SS304

TYPE-F	SIZE	PART#1	PART#2
	1/2"	JR-050F-SS316	JR-050F-SS304
	3/4"	JR-050F-SS316	JR-050F-SS304
	1"	JR-100F-SS316	JR-100F-SS304
	1-1/4"	JR-125F-SS316	JR-125F-SS304
	1-1/2"	JR-150F-SS316	JR-150F-SS304
	2"	JR-200F-SS316	JR-200F-SS304
	2-1/2"	JR-250F-SS316	JR-250F-SS304
	3"	JR-300F-SS316	JR-300F-SS304
	4"	JR-400F-SS316	JR-400F-SS304
	5"	JR-500F-SS316	JR-500F-SS304
	6"	JR-600F-SS316	JR-600F-SS304


MALE ADAPTER
X
MALE THREAD

SS316 | SS304

TYPE-DC	SIZE	PART#1	PART#2
	1/2"	JR-050DC-SS316	JR-050DC-SS304
	3/4"	JR-075DC-SS316	JR-075DC-SS304
	1"	JR-100DC-SS316	JR-100DC-SS304
	1-1/4"	JR-125DC-SS316	JR-125DC-SS304
	1-1/2"	JR-150DC-SS316	JR-150DC-SS304
	2"	JR-200DC-SS316	JR-200DC-SS304
	2-1/2"	JR-250DC-SS316	JR-250DC-SS304
	3"	JR-300DC-SS316	JR-300DC-SS304
	4"	JR-400DC-SS316	JR-400DC-SS304
	5"	JR-500DC-SS316	JR-500DC-SS304
	6"	JR-600DC-SS316	JR-600DC-SS304

DUST CAP


SS316 | SS304

TYPE-DP	SIZE	PART#1	PART#2
	1/2"	JR-050DP-SS316	JR-050DP-SS304
	3/4"	JR-075DP-SS316	JR-075DP-SS304
	1"	JR-100DP-SS316	JR-100DP-SS304
	1-1/4"	JR-125DP-SS316	JR-125DP-SS304
	1-1/2"	JR-150DP-SS316	JR-150DP-SS304
	2"	JR-200DP-SS316	JR-200DP-SS304
	2-1/2"	JR-250DP-SS316	JR-250DP-SS304
	3"	JR-300DP-SS316	JR-300DP-SS304
	4"	JR-400DP-SS316	JR-400DP-SS304
	5"	JR-500DP-SS316	JR-500DP-SS304
	6"	JR-600DP-SS316	JR-600DP-SS304

DUST PLUG


SS316 | SS304

Brass Camlock Couplings

TYPE-A	SIZE	PART#1
	1/2"	JR-050A-BR
	3/4"	JR-075A-BR
	1"	JR-100A-BR
	1-1/4"	JR-125A-BR
	1-1/2"	JR-150A-BR
	2"	JR-200A-BR
	2-1/2"	JR-250A-BR
	3"	JR-300A-BR
	4"	JR-400A-BR
	5"	JR-500A-BR
6"	JR-600A-BR	


MALE ADAPTER
X
FEMALE THREAD

Brass Camlock Couplings

TYPE-B	SIZE	PART#1
	1/2"	JR-050B-BR
	3/4"	JR-075B-BR
	1"	JR-100B-BR
	1-1/4"	JR-125B-BR
	1-1/2"	JR-150B-BR
	2"	JR-200B-BR
	2-1/2"	JR-250B-BR
	3"	JR-300B-BR
	4"	JR-400B-BR
	5"	JR-500B-BR
6"	JR-600B-BR	

FEMALE COUPLER
X
MALE THREAD

Brass Camlock Couplings

TYPE-C	SIZE	PART#1
	1/2"	JR-050C-BR
	3/4"	JR-075C-BR
	1"	JR-100C-BR
	1-1/4"	JR-125C-BR
	1-1/2"	JR-150C-BR
	2"	JR-200C-BR
	2-1/2"	JR-250C-BR
	3"	JR-300C-BR
	4"	JR-400C-BR
	5"	JR-500C-BR
6"	JR-600C-BR	


FEMALE COUPLER
X
HOSE SHANK

Brass Camlock Couplings

TYPE-D	SIZE	PART#1
	1/2"	JR-050D-BR
	3/4"	JR-075D-BR
	1"	JR-100D-BR
	1-1/4"	JR-125D-BR
	1-1/2"	JR-150D-BR
	2"	JR-200D-BR
	2-1/2"	JR-250D-BR
	3"	JR-300D-BR
	4"	JR-400D-BR
	5"	JR-500D-BR
6"	JR-600D-BR	


FEMALE COUPLER
X
FEMALE THREAD

Brass Camlock Couplings

TYPE-E	SIZE	PART#1
	1/2"	JR-050E-BR
	3/4"	JR-075E-BR
	1"	JR-100E-BR
	1-1/4"	JR-125E-BR
	1-1/2"	JR-150E-BR
	2"	JR-200E-BR
	2-1/2"	JR-250E-BR
	3"	JR-300E-BR
	4"	JR-400E-BR
	5"	JR-500E-BR
6"	JR-600E-BR	


MALE ADAPTER
X
HOSE SHANK

Brass Camlock Couplings

TYPE-F	SIZE	PART#1
	1/2"	JR-050F-BR
	3/4"	JR-075F-BR
	1"	JR-100F-BR
	1-1/4"	JR-125F-BR
	1-1/2"	JR-150F-BR
	2"	JR-200F-BR
	2-1/2"	JR-250F-BR
	3"	JR-300F-BR
	4"	JR-400F-BR
	5"	JR-500F-BR
6"	JR-600F-BR	


MALE ADAPTER
X
MALE THREAD

Brass Camlock Couplings

TYPE-DC	SIZE	PART#1
	1/2"	JR-050DC-BR
	3/4"	JR-075DC-BR
	1"	JR-100DC-BR
	1-1/4"	JR-125DC-BR
	1-1/2"	JR-150DC-BR
	2"	JR-200DC-BR
	2-1/2"	JR-250DC-BR
	3"	JR-300DC-BR
	4"	JR-400DC-BR
	5"	JR-500DC-BR
6"	JR-600DC-BR	

DUST CAP

Brass Camlock Couplings

TYPE-DP	SIZE	PART#1
	1/2"	JR-050DC-BR
	3/4"	JR-075DC-BR
	1"	JR-100DC-BR
	1-1/4"	JR-125DC-BR
	1-1/2"	JR-150DC-BR
	2"	JR-200DC-BR
	2-1/2"	JR-250DC-BR
	3"	JR-300DC-BR
	4"	JR-400DC-BR
	5"	JR-500DC-BR
6"	JR-600DC-BR	

DUST PLUG

Brass Camlock Couplings

Special Camlock Couplings



Universal Couplings-U.S. Types&European Types



Hose Menders & Combination Nipples Kc



Air Coils Assembly (Pu)

Description

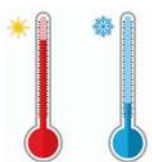


PU Material Properties

Specification



Blasting Pressure
30BAR



Temperature
-20 °C ~ 70 °C



Elastic
★★



Ultraviolet Rays
★★★

NO.	ROLLS O.D	TURNS	WORKING LENGTH	COLOR	FITTING SIZE	SLEEVE
JR3628U2-RBS	80mm	26	4m	Red	M22x1.5	Spring
JR3628U2-RSS	80mm	26	4m	Red	M16x1.5	Spring
JR3628U2-YBS	80mm	26	4m	Yellow	M22x1.5	Spring
JR3628U2-YSS	80mm	26	4m	Yellow	M16x1.5	Spring
JR3628U3-RBS	80mm	28	4.5m	Red	M22x1.5	Spring
JR3628U3-RSS	80mm	28	4.5m	Red	M16x1.5	Spring
JR3628U3-YBS	80mm	28	4.5m	Yellow	M22x1.5	Spring
JR3628U3-YSS	80mm	28	4.5m	Yellow	M16x1.5	Spring
JR3628U4-RBS	80mm	32	5.5m	Red	M22x1.5	Red Plastic
JR3628U4-RSS	80mm	32	5.5m	Red	M16x1.5	Spring
JR3628U4-YBS	80mm	32	5.5m	Yellow	M22x1.5	Spring
JR3628U4-YSS	80mm	32	5.5m	Yellow	M16x1.5	Spring
JR3628U5-RBS	80mm	41	7.5m	Red	M22x1.5	Spring
JR3628U5-RSS	80mm	14	7.5m	Red	M16x1.5	Spring
JR3628U5-YBS	80mm	14	7.5m	Yellow	M22x1.5	Spring
JR3628U5-YSS	80mm	14	7.5m	Yellow	M16x1.5	Spring

Air Coils Assembly (PA12)

Description



PA12 Material Properties

Specification



Blasting Pressure
60BAR



Temperature
-45 °C ~ 100 °C



Elastic
★★★★★



Ultraviolet Rays
★★★★★

NO.	ROLLS O.D	TURNS	WORKING LENGTH	COLOR	FITTING SIZE	SLEEVE
3628N3-R	100mm	22	4.5m	Red	M22x1.5	Red Plastic+Handle
3628N3-Y	100mm	22	4.5m	Yellow	M22x1.5	Yellow Plastic+Handle
3628N3-RSS	100mm	22	4.5m	Red	M16x1.5	Spring
3628N3-YSS	100mm	22	4.5m	Yellow	M16x1.5	Spring
3628N3-RBS	100mm	22	4.5m	Red	M22x1.5	Spring
3628N3-YBS	100mm	22	4.5m	Yellow	M22x1.5	Spring
3628N5-HSR	100mm	22	4.5m	Black	M16x1.5	Spring
3628N5-HSY	100mm	22	4.5m	Black	M16x1.5	Spring
3628N5-HBR	100mm	22	4.5m	Black	M22x1.5	Spring
3628N5-HBY	100mm	22	4.5m	Black	M22x1.5	Spring

Air Coils Assembly (TPEE)

Description



TPEE Material Properties

Specification



Blasting Pressure
50BAR



Temperature
-40℃ ~ 80℃



Elastic
★★★★★

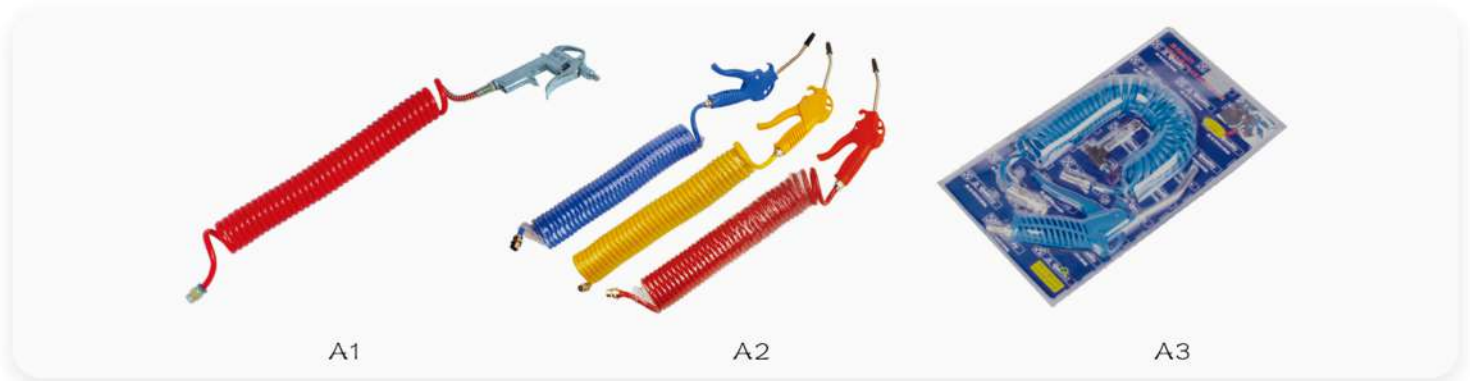


Ultraviolet Rays
★★

NO.	ROLLS O.D	TURNS	WORKING LENGTH	COLOR	FITTING SIZE	SLEEVE
JR3628E1-HBR	100mm	22	4.5m	Black	M22x1.5	Red Plastic
JR3628E1-HSR	100mm	22	4.5m	Black	M16x1.5	Yellow Plastic
JR3628E1-HBY	100mm	22	4.5m	Black	M22x1.5	Red Plastic
JR3628E1-HSY	100mm	22	4.5m	Black	M16x1.5	Yellow Plastic
JR3628E1-RBS	100mm	22	4.5m	Red	M22x1.5	Spring
JR3628E1-RSS	100mm	22	4.5m	Red	M16x1.5	Spring
JR3628E1-YBS	100mm	22	4.5m	Yellow	M22x1.5	Spring
JR3628E1-YSS	100mm	22	4.5m	Yellow	M16x1.5	Spring
JR3628E2-HXR	100mm	22	4.5m	Black	M16x1.5+M18x1.5-Long	Red Plastic
JR3628E2-HXY	100mm	22	4.5m	Black	M16x1.5+M18x1.5-Long	Yellow Plastic
JR3628E2-RBS	100mm	22	5.5m	Red	M22x1.5	Spring
JR3628E2-RSS	100mm	22	5.5m	Red	M16x1.5	Spring
JR3628E2-YBS	100mm	22	5.5m	Yellow	M22x1.5	Spring
JR3628E2-YSS	100mm	22	5.5m	Yellow	M16x1.5	Spring
JR3628E6-HBS-Y	80mm	22	3.5m	Black	M22x1.5	Spring+Red Mark
JR3628E6-HBS-R	80mm	22	3.5m	Black	M22x1.5	Spring+Yellow Mark

Air Hose With Gun

Description



A1

A2

A3

PA12 Material Properties

Specification

NO.:	NO.	MATERIAL	FITTING SIZE	WORKING LENGTH
A1	JR3628B5	PU	M12x1.5 or 1/4" NPT	5.0M
A2	JR3628B5-B	PU(BLUE)	M12x1.5 or 1/4" NPT	5.0M
	JR3628B5-Y	PU(YELLOW)	M12x1.5 or 1/4" NPT	5.0M
	JR3628B5-R	PU(RED)	M12x1.5 or 1/4" NPT	5.0M
A3	JR3628B4	PU	M12x1.5 or 1/4" NPT	5.0M

Pneumatic Valve



KAAR2000



KA4HV230-08



KA4HV330-10



KA3R110-06



KA3L210-08



KAJM-06



KA3754DC-02

Air Hose(JR9522)

Description



A: Paper Tray Packaging



B: Plastic Tray Packaging



C: Coil Packaging

Specification

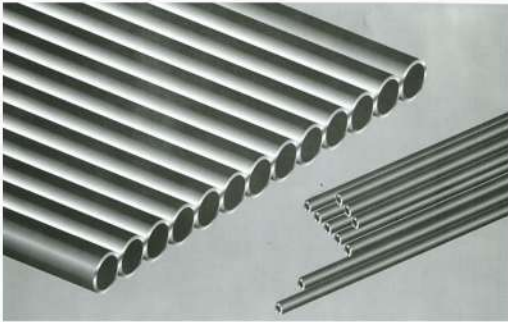
ODxThickness (mm)	ID&tolerance (mm)	Allowable (Mpa)	Min.Radius of Curvature (Mpa)	Min.Bend radius (mm)
4x0.75	2.5±0.1	3.1	9.3	20
4x1	2±0.1	4.5	13.5	20
5x1	3±0.1	3.4	10.2	20
6x1	4±0.1	2.7	8.1	30
8x1	6±0.1	1.9	5.7	50
10x1	8±0.1	1.9	5.7	65
10x1.25	7.5±0.1	1.9	5.7	65
12x1.5	9±0.1	1.9	5.7	70
12x2	8±0.15	2.7	8.1	70
14x1.5	11±0.15	1.6	4.8	75
14x2	10±0.15	2.1	6.6	80
15x1.5	12±0.15	1.5	4.5	80
16x2	12±0.15	1.9	5.7	130
18x1.5	15±0.15	1.2	3.6	130

DIN2391 High Precision Black Phosphate Steel Tube

Descriptions

In DIN2391 high-precision light seamless steel tube as the basis, phosphating formula for light agent dilution of precision steel pipe with internal and external wall phosphating,

Beginning steel tube outer wall and inner wall form a protective film in steel black rust protection. Black phosphating steel tube appearance of shiny black colour and lustre degree good, antirust ability. High precision steel pipe main also used as black phosphating of hydraulic system piping, match cardsets (steel) with joint, welding steel tubular connectors.



**DIN BLACK PHOSPHATED
HYDRAULIC TUBE IN HIGH PRECISION**

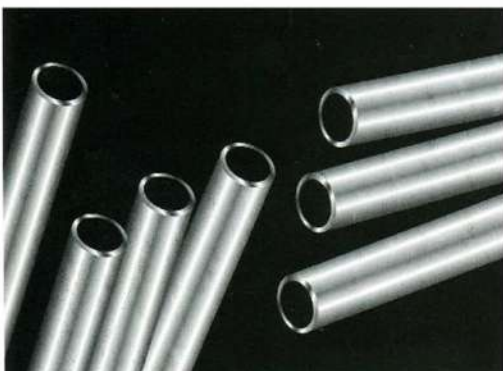
DIN2391 High Precision Light Seamless Steel Tube

Descriptions

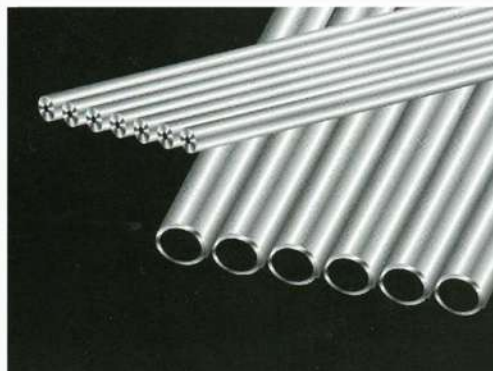
Process: adopt baosteel quality carbon materials, after pickling, pure jozabad, non oxidation light heat treatment (NBK state). Nondestructive testing, steel pipe inner hole by high pressure flushing, pickling. steel pipe outer wall and inner wall with oily-type rust inhibitor, both ends block used as dustproof.

Features: produce tube has high accuracy, good brightness, steel pipe outer wall and inner wall there is no oxidation layer, steel pipe may inherit liquid circulation of high pressure, and steel tube cold bending deformation, expansive mouth, squash without rift. Mechanical properties can be in any angle under bending deformation.

Purposes: mainly used for hydraulic system of steel oil-way prepared. Also called hydraulic system of hard piping, car by precision steel pipe, can satisfy the requirement of steel tube high accuracy, high polished, tensile strength and mechanical properties of high customer.



**HIGH PRECISION LIGHT SEAMLESS
STEEL TUBE**



**HIGH PRECISION LIGHT SEAMLESS
STEEL TUBE**

DIN2391 High Precision Galvanization Steel Tube

Descriptions

Adopting high precision seamless steel tube to its light, electricity galvanized steel outer wall and inner wall of zinc (zinc plating yellow and white zinc and passivation treatment), Galvanization steel tube length in 6 meters or less than both. Mainly used for automobile special steel tube, military, aircraft, Forestry machinery, construction machinery, railway vehicles, ships, etc



Main Materials and Applications

- **Specifications:** The product specification for outer diameter (D) ϕ 4mm-76mm, wall thickness (S) 0.5 mm - 6.0mm

NOTE: According to customer special requirement. Length is scale 6 meters (customized except), delivery status to NBK (normalizing), GBK (annealing), BKS (stress relieving).

- **Main Materials:** Adopt main material for ST35, ST37.4(10#), ST45(#20), ST55(35 #), ST52(16Mn) etc. Light precision seamless steel tube may be based on customer demand do phosphor process plating zinc (yellow zinc), white zinc, length within six meters.

- **Applications:** The company product widely used in hydraulic systems with piping, injection molding machine, hydraulic press, shoemaking machine, hydraulic equipment, high-pressure tube, Card sets (steel) joint connection, rubber machinery, forging and pressing machinery, die-casting machine, engineering machinery, environmental sanitation vehicle, the automotive industry, The shipbuilding industry, metal processing industry, military industry, diesel, gas engine, air compressor, construction machinery, agricultural, forestry, machinery, etc. And in all set up a good reputation.

Common Standards, Materials, Tolerances

Standard	Material	Standard	Material
DIN 2391	St35 St45 St52	JIS.G 3441	Alloy Steel
DIN 1630	St37.4 St44.4 St52.4	JIS.G 3444	Carbon Steel
DIN 1629	St37.0 St44.0 St52.0	JIS.G 3445	Carbon Steel
DIN 2393	St44-2 St52-3	JIS.G 3454	STPG 370. STPG 410
DIN 2394	St44-2 St52-3	JIS.G 3455	STS 370. STS 410
DIN 17175	St35.8 St45.8 17Mn4 19Mn5	JIS.G 3456	STPT 370. STPT 410
ASTM A53	A.B	JIS.G 3458	Ct-Mo Steel
ASTM A106	A.B	JIS.G 3460	STPL380
ASTM A161	Low Carbon Steel.T 1	JIS.G 3461	STPL340. STPL410. STPL510
ASTM A179	Low Carbon Steel	JIS.G 3462	Ct-Mo Steel
ASTM A192	Low Carbon Steel	JIS.G 3464	STPL380
ASTM A199	T5.T22	JIS.G 3465	STM-C540. STM-R780
ASTM A200	T5.T22	JIS.G 3467	Ct-Mo Steel
ASTM A210	A1.C	JIS.G 3473	Ct-Mo Steel
ASTM A213	T2.T5.T22	BS 970	Carbon Steel
ASTM A500	A.B.C.D	BS 3059	360.440.460.490
ASTM A519	Carbon Steel. Alloy Steel	NF A49-210	
ASTM A556	A2.B2	EN 10305	E235.E255.E325

	RANGE	GB	DIN	STANDARD	PRECISION
OD	4~30mm	$\pm 0.10\text{mm}$	$\pm 0.08\text{mm}$	$\pm 0.05\text{mm}$	$\pm 0.03\text{mm}$
	31~40mm	$\pm 0.15\text{mm}$	$\pm 0.15\text{mm}$	$\pm 0.05\text{mm}$	$\pm 0.03\text{mm}$
	41~50mm	$\pm 0.20\text{mm}$	$\pm 0.20\text{mm}$	$\pm 0.08\text{mm}$	$\pm 0.03\text{mm}$
	51~60mm	$\pm 0.25\text{mm}$	$\pm 0.25\text{mm}$	$\pm 0.08\text{mm}$	$\pm 0.03\text{mm}$
	61~70mm	$\pm 0.30\text{mm}$	$\pm 0.30\text{mm}$	$\pm 0.10\text{mm}$	$\pm 0.05\text{mm}$
	71~80mm	$\pm 0.35\text{mm}$	$\pm 0.35\text{mm}$	$\pm 0.10\text{mm}$	$\pm 0.05\text{mm}$
	81~90mm	$\pm 0.40\text{mm}$	$\pm 0.40\text{mm}$	$\pm 0.15\text{mm}$	$\pm 0.05\text{mm}$
91~100mm	$\pm 0.45\text{mm}$	$\pm 0.45\text{mm}$	$\pm 0.15\text{mm}$	$\pm 0.05\text{mm}$	
THICKNESS	0~7mm	$\pm 10\%$ MIN $\pm 0.12\text{mm}$	$\pm 10\%$	$\pm 5\%$ MIN $\pm 0.05\text{mm}$	$\pm 3\%$ MIN $\pm 0.03\text{mm}$

DIN2391 High Precision Galvanization Steel Tube

Common Standards, Materials, Tolerances

SIZE ID*CHICKNESS	WEIGHT KG/M	B P BAR	T P BAR	W P BAR	SIZE ID*CHICKNESS	WEIGHT KG/M	B P BAR	T P BAR	W P BAR
4x0.50	0.043	944	421	314	14x3.50	0.906	2125	874	708
4x0.75	0.060	1500	607	472	15x1.00	0.345	478	257	188
4x1.00	0.074	2125	776	629	15x1.50	0.499	738	385	283
5x0.75	0.079	1159	498	377	15x2.00	0.641	1014	503	377
5x1.00	0.099	1619	642	503	15x2.50	0.771	1307	616	472
6x0.75	0.097	944	448	334	15x3.00	0.888	1619	723	566
6x1.00	0.123	1387	581	446	16x1.00	0.370	447	241	177
6x1.50	0.166	2125	825	669	16x1.50	0.536	689	361	265
6.35x1.16	0.148	1454	631	488	16x2.00	0.691	944	474	354
8x1.00	0.173	944	448	334	16x2.50	0.832	1214	581	442
8x1.50	0.240	1500	645	501	16x3.00	0.962	1500	683	531
8x2.00	0.296	2125	825	669	18x1.00	0.419	395	214	157
9.53x1.22	0.250	969	485	362	18x1.50	0.610	607	321	236
10x1.00	0.222	739	385	283	18x2.00	0.789	829	425	314
10x1.50	0.314	1159	560	425	18x2.50	0.956	1062	522	393
10x2.00	0.395	1619	723	566	18x3.00	1.110	1307	616	472
10x2.50	0.462	2125	874	708	19x2.0.3	0.850	792	409	302
12x1.00	0.271	607	321	236	20x1.00	0.469	354	192	141
12x1.50	0.388	944	474	354	20x1.50	0.684	542	289	212
12x2.00	0.493	1307	616	472	20x2.00	0.888	789	385	283
12x3.00	0.586	1700	749	590	20x2.50	1.079	944	474	354
12x3.00	0.666	2125	874	708	20x3.00	1.258	1159	560	425
12.7x1.42	0.395	835	428	316	20x3.50	1.424	1383	643	495
14x1.00	0.321	515	275	202	20x4.00	1.578	1619	723	566
14x1.50	0.462	796	411	303	22x1.00	0.518	320	175	128
14x2.00	0.592	1096	536	404	22x1.50	0.758	490	263	193
14x2.50	0.709	1416	655	506	22x2.00	0.986	666	350	257
14x3.00	0.814	1758	767	607	22x2.50	1.202	850	434	322

DIN2391 High Precision Galvanization Steel Tube

Common Standards, Materials, Tolerances

SIZE ID*CHICKNESS	WEIGHT KG/M	B P BAR	T P BAR	W P BAR	SIZE ID*CHICKNESS	WEIGHT KG/M	B P BAR	T P BAR	W P BAR
22x3.00	1.406	1040	514	386	30x6.00	3.551	1619	723	566
22x3.50	1.597	1239	591	456	31.7x3.25	2.280	758	394	290
22x4.00	1.776	1446	665	515	35x2.00	1.628	407	220	161
25x1.00	0592	280	154	113	35x2.50	2.004	515	275	202
25x1.50	0.869	428	231	170	35x3.00	2.368	625	330	242
25x2.00	1.134	581	308	226	35x3.50	2.719	739	395	283
25x2.50	1.387	739	385	283	35x4.00	3.058	855	436	323
25x3.00	1.628	902	457	340	35x4.50	3.385	974	487	364
25x3.50	1.856	1072	526	396	35x5.00	3.699	1096	536	404
25x4.00	2.072	1247	594	453	35x6.00	4.291	1350	631	485
25x4.50	2.275	1429	659	510	38x2.00	1.776	373	203	149
25x5.00	2.466	1619	723	566	38x2.50	2.189	472	253	186
25.4x2.03	1.170	580	380	226	38x3.00	2.589	573	304	223
28x1.50	0.980	380	206	151	38x3.50	2.978	676	355	261
28x2.00	1.282	515	275	202	38x4.00	3.354	781	404	298
28x2.50	1.572	653	344	253	38x4.50	3.718	889	451	335
28x3.00	1.850	786	411	303	38x5.00	4.069	100	497	372
28x3.50	2.115	944	474	354	38x6.00	4.735	1228	587	447
28x4.00	2.368	1096	536	404	38x7.00	5.325	1469	673	522
28x4.50	2.608	1254	596	455	40x5.00	4.316	944	474	354
28x5.00	2.836	1416	655	506	42x2.00	1.973	336	183	134
30x2.00	1.381	478	257	188	42x3.00	2.885	515	275	202
30x2.50	1.695	607	321	236	42x4.00	3.749	701	367	269
30x3.00	1.998	739	385	283	50x5.00	5.549	739	385	283
30x3.50	2.287	875	445	330	50x6.00	6.511	902	457	340
30x4.00	2.565	1014	503	377	50x9.00	9.100	1429	659	510
30x4.50	2.830	1159	560	425	65x8.00	11.246	928	467	348
30x5.00	3.083	1307	616	472	80x10.00	17.263	944	474	354

O-Ring Kit

Description

Supply oring-box,AS568,J-P/G,MEFRIC and other size,Material have NBR70B,NBR90B FKM80N and so on.



Specification

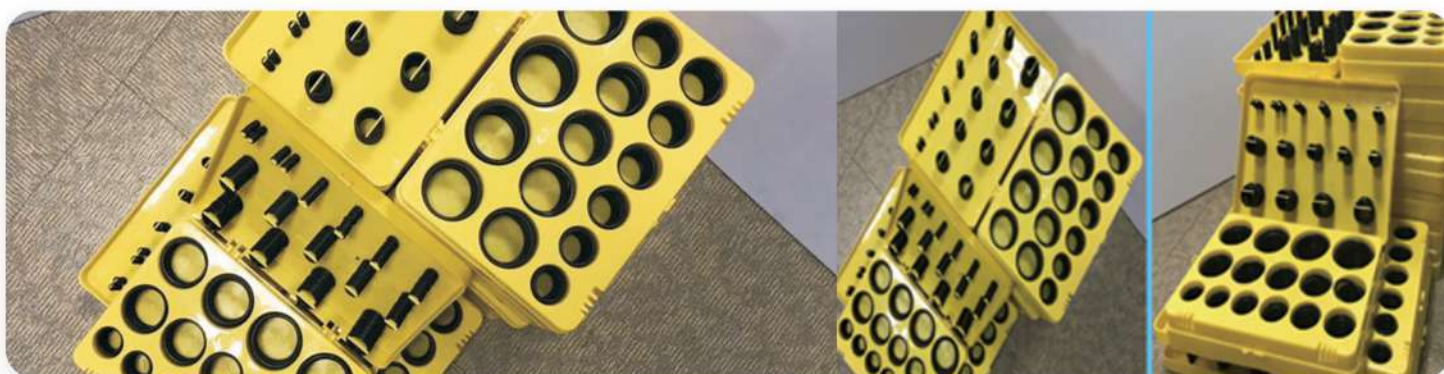
AS568, 30MODEL=382PCS(RED)	
SPECIFICATION	QTY
2.9*1.78	20
3.68*1.78	20
4.47*1.78	20
5.28*1.78	20
6.07*1.78	20
7.65*1.78	20
9.25*1.78	20
9.19*2.62	13
10.77*2.62	13
12.37*2.62	13
13.94*2.62	13
15.54*2.62	13
17.12*2.62	13
18.72*2.62	13
18.64*3.53	10

AS568, 30MODEL=382PCS(RED)	
SPECIFICATION	QTY
20.22*3.53	10
21.82*3.53	10
23.39*3.53	10
24.99*3.53	10
26.57*3.53	10
28.17*3.53	10
29.74*3.53	10
31.34*3.53	10
32.92*3.53	10
34.52*3.53	10
36.09*3.53	10
37.69*3.53	10
37.47*5.33	7
40.64*5.33	7
43.82*5.33	7

O-Ring Kit

Description

Supply oring-box,AS568,J-P/G,MEFRIC and other size,Material have NBR70B,NBR90B FKM80N and so on.



Specification

MEFRIC, 30MODEL=386PCS (YELLOW)	
SPECIFICATION	QTY
3*2	16
4*2	16
5*2	16
6*2	16
7*2	16
8*2	16
10*2	16
10*2.5	13
11*2.5	13
12*2.5	13
14*2.5	13
16*2.5	13
17*2.5	13
19*2.5	13
19*3	12

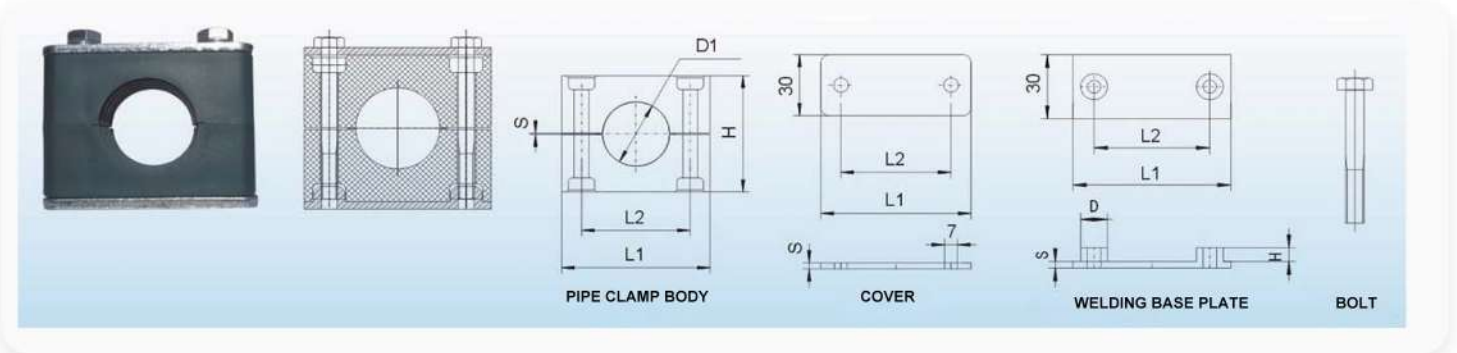
国标, MEFRIC, 30MODEL=386PCS (YELLOW)	
SPECIFICATION	QTY
20*3	12
22*3	12
24*3	12
25*3	12
27*3	12
28*3	12
30*3	12
32*3	12
33*3	12
35*3	12
36*3	12
38*3	12
38*4	9
41*4	9
44*4	9

JRL*G3 Light Pipe Clamp

Descriptions

Hexagonal screw + pipe clamp + welding base plate

- ① Light plastic inner groove pipe clamp = JRLPG3
- ② Light plastic pipe clamp with smooth inner hole = JRLPS3
- ③ Light nylon inner groove pipe clamp = JRLNG3
- ④ Light nylon smooth bore pipe clamp = JRLNS3
- ⑤ Light aluminum alloy inner hole concave pipe clamp = JRLLG3
- ⑥ Light plastic steel inner hole groove type pipe clamp = JRLSG3
- ⑦ Light steel inner groove pipe clamp = JRLGG3
- ⑧ Light stainless steel inner hole concave pipe clamp = JRLBG3



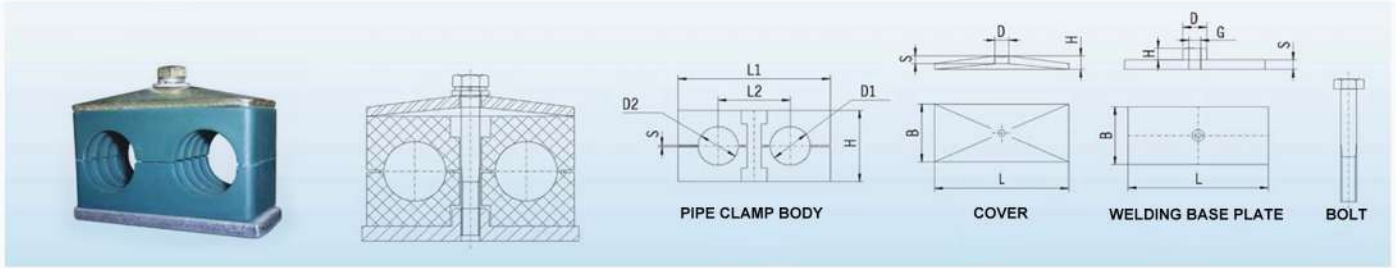
	NUMBER	OD D1	ID	OD	PIPE CLAMP BODY					COVER			WELDING BASE PLATE					BOLT
					L1	L2	H	S	WIDTH	L1	L2	S	L1	L2	S	H	D	
L1	JRL*G3-106	6																
	JRL*G3-106.4	6.4		1/4														
	JRL*G3-108	8		5/16	37	20	27	0.4	30	37	20	3	37	20	3	6.5	12	M6X30
	JRL*G3-109.5	9.5		3/8														
	JRL*G3-110	10	1/8															
	JRL*G3-112	12																
L2	JRL*G3-212.7	12.7		1/2														
	JRL*G3-213.5	13.5	1/4															
	JRL*G3-214	14																
	JRL*G3-215	15			42	26	33	0.6	30	42	26	3	42	26	3	6.5	12	M6X35
	JRL*G3-216	16		5/8														
	JRL*G3-217.2	17.2	3/8															
	JRL*G3-218	18																
L3	JRL*G3-319	19		3/4														
	JRL*G3-320	20																
	JRL*G3-321.3	21.3	1/2		50	33	36	0.6	30	50	33	3	50	33	3	6.5	12	M6X40
	JRL*G3-322	22		7/8														
	JRL*G3-325	25		1														
L4	JRL*G3-426.9	26.9	3/4															
	JRL*G3-428	28			59	40	42	0.6	30	59	40	3	59	40	3	6.5	12	M6X45
	JRL*G3-430	30																
L5	JRL*G3-532	32		1 1/4														
	JRL*G3-533.7	33.7	1															
	JRL*G3-535	35			71	52	58	0.8	30	71	52	3	71	52	3	6.5	12	M6X60
	JRL*G3-538	38		1 1/2														
	JRL*G3-540	40																
	JRL*G3-542	42	1 1/4															
L6	JRL*G3-644.5	44.5		1 3/4														
	JRL*G3-648.3	48.3	1 1/2		86	66	66	0.8	30	86	66	3	86	66	3	6.5	12	M6X70
	JRL*G3-650.8	50.8		2														
L7	JRL*G3-757.2	57.2		2 1/4														
	JRL*G3-760.3	60.3	2															
	JRL*G3-763.5	63.5		2 1/2	121	94	93	0.8	30	121	94	5	121	94	5	6.5	12	M6X100
	JRL*G3-770	70		2 3/4														
	JRL*G3-773	73																
	JRL*G3-776.1	76.1	2 1/2	3														
L8	JRL*G3-888.9	88.9	3															
	JRL*G3-8102	102		4	147	120	118	0.8	30	147	120	5	147	120	5	6.5	12	M6X125

Cambered Surface Spiral Guard

Descriptions


Hexagonal screw + cover plate + pipe clamp body + welding base plate



- ① Light plastic inner groove pipe clamp = JRTPG1
- ② Light plastic pipe clamp with smooth inner hole = JRTPS1
- ③ Light nylon inner groove pipe clamp = PYTNG1
- ④ Light nylon smooth inner hole pipe clamp = JRTNS1
- ⑤ Light aluminum alloy inner hole concave pipe clamp = JRTLG1
- ⑥ Light plastic steel inner hole groove type pipe clamp = JRTSG1
- ⑦ Light steel inner groove pipe clamp = JRTGG1
- ⑧ Light stainless steel inner hole concave pipe clamp = JRTBG1



	NUMBER	OD D1/D2	PIPE CLAMP BODY					COVER				WELDING BASE PLATE					BOLT
			L1	L2	H	S	WIDTH	L	H	S	D	L	S	H	D	G	
T1	JRT*G1-106	6/6	36	20	27	0.8	30	36	7	3	7	37	3	6	12	M6	M6X35
	JRT*G1-106.4	6.4/6.4															
	JRT*G1-108	8/8															
	JRT*G1-109.5	9.5/9.5															
	JRT*G1-110	10/10															
	JRT*G1-112	12/12															
T2	JRT*G1-212.7	12.7/12.7	53	29	27	0.8	30	53	7	3	9	55	5	6	14	M8	M8X35
	JRT*G1-213.5	13.5/13.5															
	JRT*G1-214	14/14															
	JRT*G1-215	15/15															
	JRT*G1-216	16/16															
	JRT*G1-217.2	17.2/17.2															
T3	JRT*G1-218	18/18	67	36	37	0.8	30	67	7	3	9	70	5	6	14	M8	M8X45
	JRT*G1-319	19/19															
	JRT*G1-320	20/20															
	JRT*G1-321.3	21.3/21.3															
	JRT*G1-322	22/22															
T4	JRT*G1-325	25/25	80	45	40	0.8	30	80	7	3	9	85	5	6	14	M8	M8X50
	JRT*G1-426.9	26.9/26.9															
	JRT*G1-428	28/28															
T5	JRT*G1-430	30/30	106	56	53	0.8	30	106	7	3	9	110	5	6	14	M8	M8X60
	JRT*G1-532	32/32															
	JRT*G1-533.7	33.7/33.7															
	JRT*G1-535	35/35															
	JRT*G1-538	38/38															
	JRT*G1-540	40/40															
JRT*G1-542	42/42																

Clamps

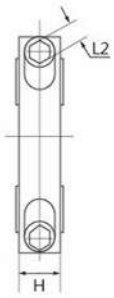
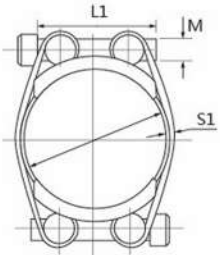
HEAVY DUTY HOSE CLAMP	SIZE	WEBBING WIDTH	THICKNESS	BOLT LENGTH
	17-19	18	0.6	M5*45
	18-20	18	0.6	M5*45
	20-22	18	0.6	M5*45
	23-25	18	0.6	M5*45
	26-28	18	0.6	M5*45
	29-31	20	0.8	M6*60
	32-35	20	0.8	M6*60
	36-39	20	0.8	M6*60
	40-43	20	0.8	M6*60
	44-47	20	0.8	M6*60
	48-51	22	1.2	M6*60
	52-55	22	1.2	M6*60
	56-59	22	1.2	M6*60
	60-63	22	1.2	M6*60
	64-67	22	1.2	M6*60
	68-73	24	1.5	M8*75
	74-79	24	1.5	M8*75
	80-85	24	1.5	M8*75
	86-91	24	1.5	M8*75
	92-97	24	1.5	M8*75
	96-103	24	1.5	M8*75
	104-112	24	1.5	M8*75
	113-121	24	1.5	M8*75
	122-130	24	1.5	M8*75
	131-139	26	1.7	M10*85
	140-148	26	1.7	M10*85
	149-161	26	1.7	M10*85
	162-174	26	1.7	M10*85
	175-187	26	1.7	M10*85
	188-200	26	1.7	M10*85
	201-213	26	1.7	M10*85
	214-226	26	1.7	M10*85
	227-239	26	1.7	M10*85
	240-252	26	1.7	M10*85

GERMANY TYPE HOSE CLAMP	RANGE	S
	8-12	23
	10-16	23
	12-22	23
	16-27	23
	23-35	23
	25-40	26
	32-50	26
	40-60	26
	50-70	26
	60-80	26
	70-90	26
	80-100	26
	90-110	26
	100-120	26
	110-130	26
	120-140	26
	130-150	26
	140-160	26
		

MINI CLAMP	
	12-14mm
	13-15mm
	14-16mm
	15-17mm
	16-18mm
	7-9mm
	8-10mm
	9-11mm
	10-12mm
	11-13mm

Clamps

DOUBLE BOLTS POWER CLAMP



RANGE	BAND WIDTH	BAND THICKNESS
30-40	20	1.0
35-45	20	1.0
40-50	20	1.0
45-55	20	1.0
50-60	20	1.0
55-65	20	1.0
60-70	20	1.0
65-75	20	1.0
70-80	20	1.0
75-85	24	1.2
80-90	24	1.2
85-95	24	1.2
90-100	24	1.2
100-110	24	1.2
105-115	24	1.2
110-120	24	1.2
125-135	24	1.2
130-140	24	1.2
135-145	24	1.2
140-150	24	1.2
145-155	24	1.2
150-160	24	1.2
155-165	24	1.2
160-170	24	1.2
165-175	24	1.2
170-180	24	1.2
180-190	24	1.2
190-200	24	1.2
200-210	24	1.2
210-220	24	1.2
220-230	24	1.2
230-240	24	1.2
240-250	24	1.2
250-260	24	1.2
260-270	24	1.2
270-280	24	1.2
280-290	24	1.2
290-300	24	1.2

AMERICAN STYLE CLAMP



SIZE
8-12
10-16
11-17
11-20
13-24
17-32
24-38
16-25
16-27
16-30
22-32
25-38
32-44
27-51
38-57
44-64
51-70
64-76
70-89
76-92
80-100
90-110
100-120
110-130
120-140
130-150
140-160

GERMAN HOSE CLAMP WITH HANDLE



SIZE
8-12
10-16
12-19
12-22
16-25
16-27
22-32
25-40
30-45
32-50
50-70
60-80
70-90
80-100

Cambered Surface Spiral Guard

Description

TOLERANCE

ID $\pm 0.5\text{MM}$, WALL $\pm 0.25\text{MM}$
 Other sizes can be customized

LENGTH

2m/piece, 10m/piece, 50m/piece
 Other lengths can be customized

Color

Black, red, yellow, blue, white
 Other colors can be customized



Cambered Surface Spiral Guard

It uses modified PP raw materials specially developed by Shanghai Rubber Research Institute, with excellent properties such as wear resistance, aging resistance, oil resistance, acid and alkali resistance, and sun protection.

Specification

Part No.	ID (mm)	OD(mm)	Wall (mm)		Pitch(mm)	usage range Hose OD (mm)	Length(m/roll)
			Centre	Edge			
HPS-8	8	9.4	1.2	0.4	8	8 - 12	2 / 20 / 50
HPS-10	10	13	1.3	0.4	10	10 - 14	2 / 20 / 50
HPS-12	12	15	1.5	0.5	12	12 - 16	2 / 20 / 50
HPS-14	14	17	1.5	0.5	14	14 - 18	2 / 20 / 50
HPS-16	16	20	2	0.5	16	16 - 20	2 / 20 / 50
HPS-18	18	22	2	0.5	18	18 - 22	2 / 20 / 50
HPS-20	20	25	2.5	0.5	18	20 - 25	2 / 20 / 50
HPS-22	22	27	2.5	0.5	18	22 - 27	2 / 20 / 50
HPS-25	25	30	2.5	0.7	23	25 - 30	2 / 20 / 50
HPS-28	28	34	3	0.7	24	28 - 32	2 / 20 / 50
HPS-30	30	36	3	0.7	25	30 - 35	2 / 20 / 50
HPS-32	32	38	3	1	25	32 - 38	2 / 10 / 20
HPS-35	35	42	3.5	1	25	35 - 40	2 / 10 / 20
HPS-38	38	45	3.5	1	28	38 - 43	2 / 10 / 20
HPS-42	42	49	3.5	1	28	42 - 50	2 / 10 / 20
HPS-45	45	52	3.5	1	28	45 - 60	2 / 10 / 20
HPS-50	50	57.4	4	1.5	35	50 - 70	2 / 10 / 20
HPS-60	60	68	4	2	38	60 - 80	2 / 10 / 20
HPS-74	74	82	4.5	2	47	74 - 90	2 / 10 / 20
HPS-80	80	89	4.5	2	50	80 - 100	2 / 10
HPS-88	88	97	4.5	2	53	88 - 110	2 / 10
HPS-100	100	110	5	2.5	58	100 - 140	2 / 10
HPS-130	130	140	5	2.5	58	130 - 180	2 / 10
HPS-150	150	162	6	3	69	150 - 210	2
HPS-200	200	214	7	3.5	100	200 - 300	2

FLAT SPIRAL WARP GUARD

Description

TOLERANCE

ID $\pm 0.5\text{MM}$, WALL $\pm 0.25\text{MM}$
 Other sizes can be customized

LENGTH

2m/Piece, 10m/Piece, 50m/Piece
 Other lengths can be customized

Color

Black, red, yellow, blue, white
 Other colors can be customized



Flat Spiral Warp Guard

It uses modified PP raw materials specially developed by Shanghai Rubber Research Institute, with excellent properties such as wear resistance, aging resistance, oil resistance, acid and alkali resistance, and sun protection.

Specification

Part No.	ID (mm)	OD(mm)	Wall (mm)	Pitch(mm)	usage range Hose OD (mm)	Length(m/roll)
HPS-8	8	9.4	1.2	8	8 - 12	2 / 20 / 50
HPS-10	10	13	1.3	10	10 - 14	2 / 20 / 50
HPS-12	12	15	1.5	12	12 - 16	2 / 20 / 50
HPS-14	14	17	1.5	14	14 - 18	2 / 20 / 50
HPS-16	16	20	2	16	16 - 20	2 / 20 / 50
HPS-18	18	22	2	18	18 - 22	2 / 20 / 50
HPS-20	20	25	2.5	18	20 - 25	2 / 20 / 50
HPS-22	22	27	2.5	18	22 - 27	2 / 20 / 50
HPS-25	25	30	2.5	23	25 - 30	2 / 20 / 50
HPS-28	28	34	3	24	28 - 32	2 / 20 / 50
HPS-30	30	36	3	25	30 - 35	2 / 20 / 50
HPS-32	32	38	3	25	32 - 38	2 / 10 / 20
HPS-35	35	42	3.5	25	35 - 40	2 / 10 / 20
HPS-38	38	45	3.5	28	38 - 43	2 / 10 / 20
HPS-42	42	49	3.5	28	42 - 50	2 / 10 / 20
HPS-45	45	52	3.5	28	45 - 60	2 / 10 / 20
HPS-50	50	57.4	4	35	50 - 70	2 / 10 / 20
HPS-60	60	68	4	38	60 - 80	2 / 10 / 20
HPS-74	74	82	4.5	47	74 - 90	2 / 10 / 20
HPS-80	80	89	4.5	50	80 - 100	2 / 10
HPS-88	88	97	4.5	53	88 - 110	2 / 10
HPS-100	100	110	5	58	100 - 140	2 / 10
HPS-130	130	140	5	58	130 - 180	2 / 10
HPS-150	150	162	6	69	150 - 210	2
HPS-200	200	214	7	100	200 - 300	2

Grease Nipple Series



Grease Nipple M6*1



Grease Nipple M8*1



Grease Nipple M10*1



Grease Nipple 1/8" BSPT



Grease Nipple 1/8" NPT



Grease Nipple M6*1*45°



Grease Nipple M8*1*45°



Grease Nipple M10*1*45°



Grease Nipple M6*1*90°



Grease Nipple M8*1*90°



Grease Nipple M10*1*90°



Grease Nipple 1/8" BSPT



Grease Nipple M6*1*45°



Grease Nipple M8*1*45°



Grease Nipple M10*1



Grease Nipple M10*1

Grease Nipple Series



Grease Nipple M10*1*45°



Grease Nipple M10*1



Grease Nipple M8*1*45°



Grease Nipple M8*1*90°

Grease Coupler Series



Grease Coupler (Suit)



Grease Coupler (Suit)



Grease Coupler (Suit)



Grease Coupler (Suit)



Grease Coupler (Suit)



Grease Coupler (Suit)



Grease Coupler (Suit)



Grease Coupler (Suit)

Grease Hose Series



Grease Hose



Grease Hose



Grease Hose



Grease Hose



CONTACT US ANYTIME

Cason Zhou

PHONE: 0086-15968518588

E-MAIL: zhouhangbo@zjtianxiang.com.cn

SKYPE: sail-zhou

Alexander

PHONE: 0086-13395857981

E-MAIL: alexander@hosefitting.com.cn

Ting

PHONE: 0086-15167011842

E-MAIL: selinachen@zjtianxiang.com.cn

Tom

PHONE: 0086-13858196478

E-MAIL: tom@hosefitting.com.cn

Office Add:

Ren Jia Wu Industrial Area , Diankou Town , Zhuji City ,Zhejiang Province ,China

Factory Add:

Zhu Jia Station Village , Diankou Town , Zhuji City , Zhejiang Province, China